



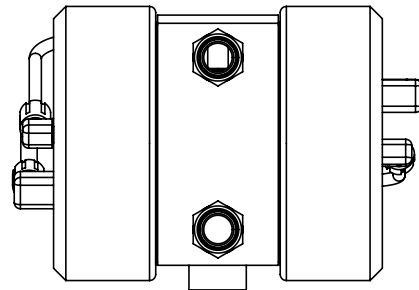
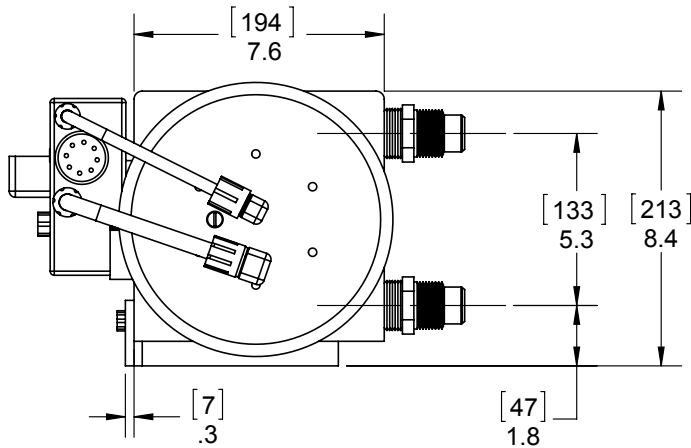
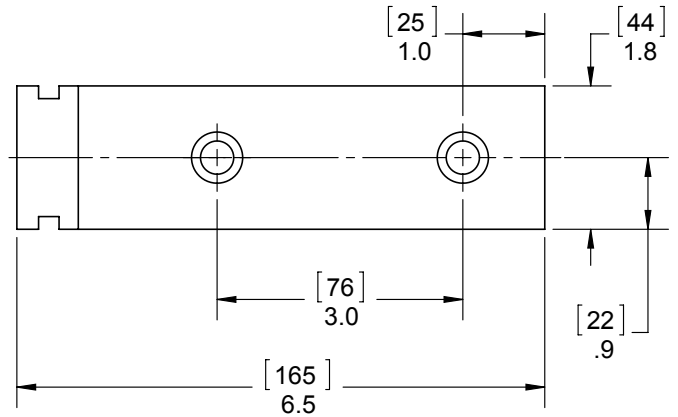
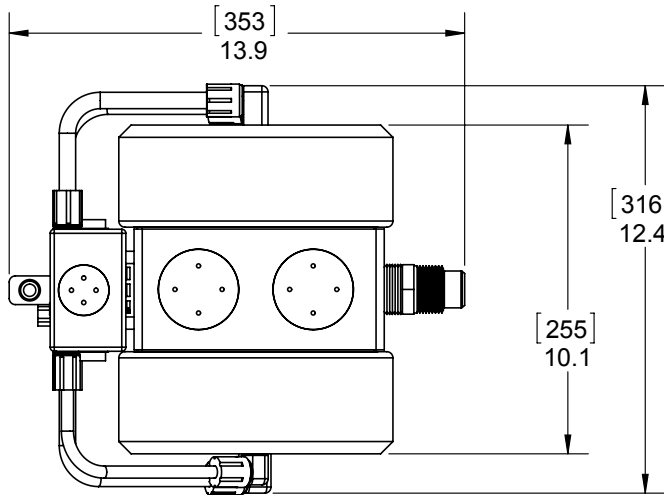
**WHITE KNIGHT™**

.....*simply driven™*

# AP300 DIMENSIONALS

## Pump Dimensions

DIMENSIONS IN [MILLIMETERS] INCHES



[wkfluidhandling.com/ap300](http://wkfluidhandling.com/ap300)

Our engineers are easy to work with and ready to perform your custom testing.  
Contact us at [info@wkfluidhandling.com](mailto:info@wkfluidhandling.com) or 435.783.6040, or visit [wkfluidhandling.com](http://wkfluidhandling.com)

Published July 17, 2013 | All specifications are subject to change without notice.

© 2013 White Knight Fluid Handling, Inc.

