



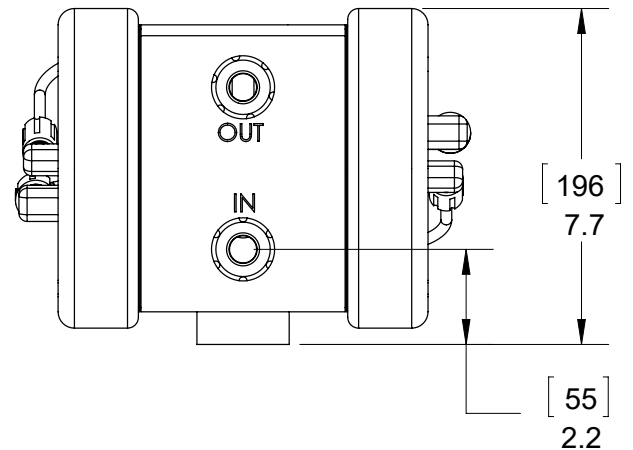
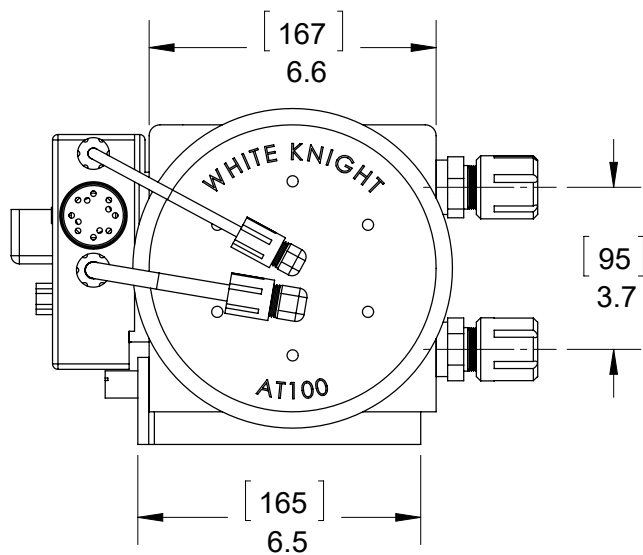
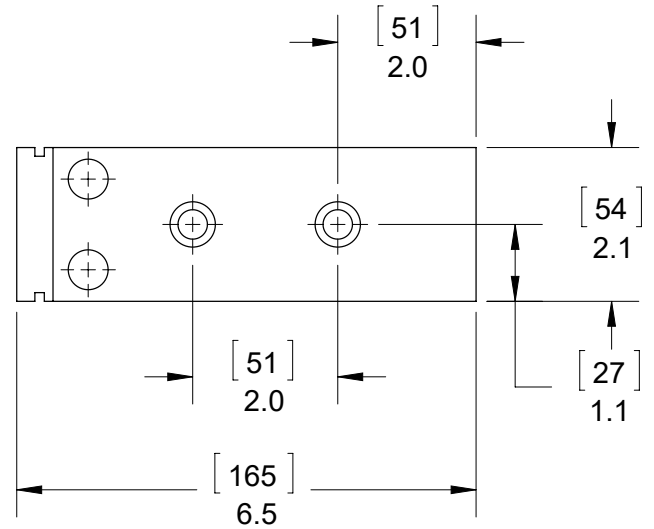
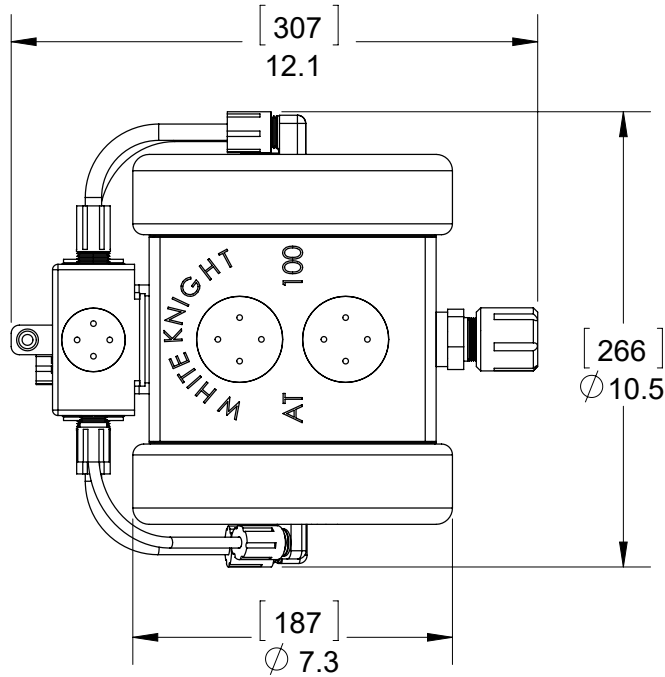
WHITE KNIGHT®

.....engineer approved™

AT100 DIMENSIONALS

Pump Dimensions

DIMENSIONS IN [MILLIMETERS] INCHES



wkfluidhandling.com/at100

Our engineers are easy to work with and ready to perform your custom testing. Contact us at info@wkfluidhandling.com or 435.783.6040, or visit wkfluidhandling.com

Published Aug 21, 2015 | All specifications are subject to change without notice.

© 2015 White Knight Fluid Handling, Inc.

