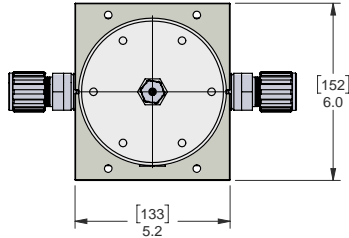


CBA Dimensions

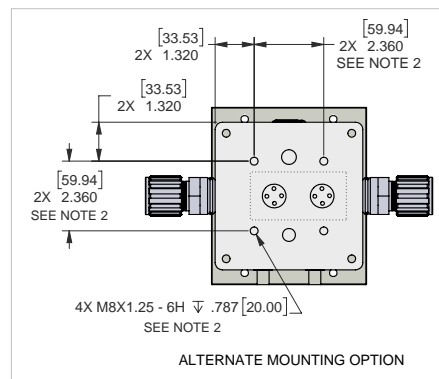
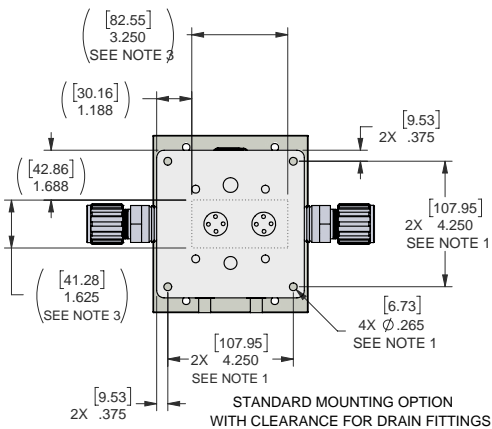
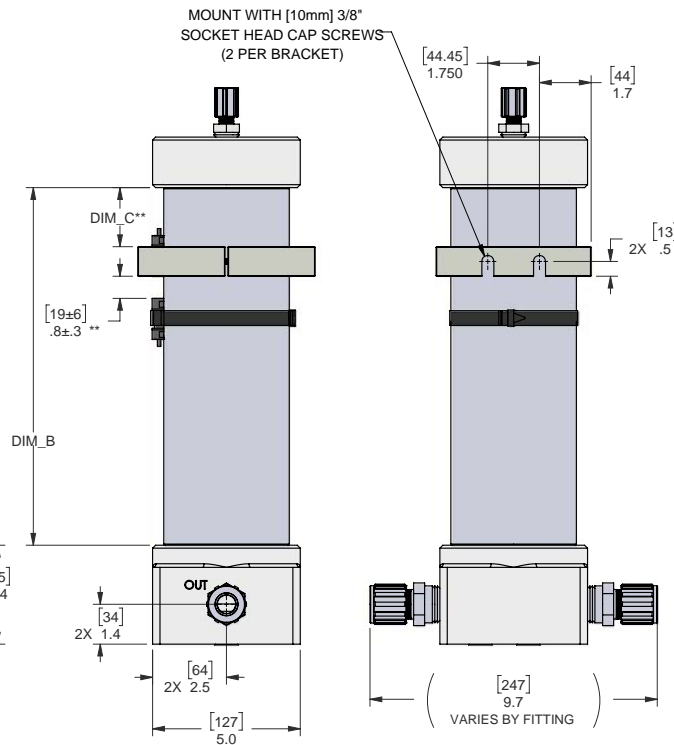
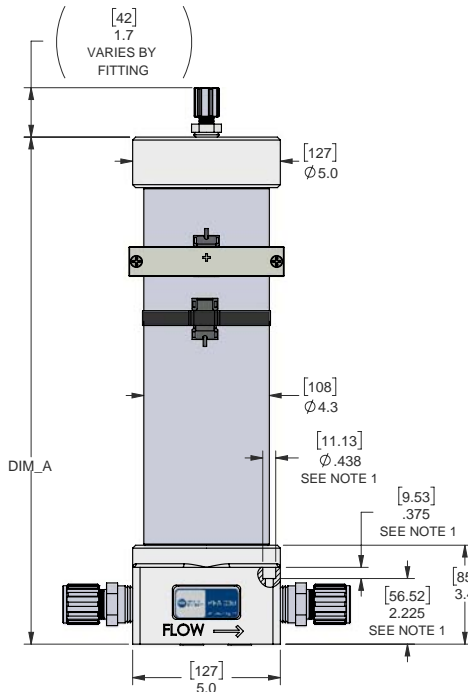
Dimensions: [mm] in



MODEL SIZE	DIM_A [mm] INCHES	DIM_B [mm] INCHES	DIM_C** [mm] INCHES
CBA-4A-1	[290] 11.4	[160] 6.3	[0] 0 - [20] .8
CBA-4A-2	[427] 16.8	[297] 11.7	[0] 0 - [25] 1.0
CBA-4A-3	[566] 22.3	[437] 17.2	[51] 2.0 - [76] 3.0
CBA-4A-4*	[790] 31.1	[660] 26.0	[51] 2.0 - [165] 6.5
CBA-4A-5*	[930] 36.6	[800] 31.5	[51] 2.0 - [201] 7.9
CBA-4A-6*	[1067] 42.0	[937] 36.9	[1290] 2.0 - [234] 9.2

*HAS A COUPLER JOINT IN THE MIDDLE

**RECOMMENDED DISTANCE FOR LEVEL SENSOR, SEE NOTE 4



NOTES:

1. PRIMARY MOUNTING OPTION; USE [6mm] 1/4" SOCKET HEAD CAP SCREWS, RECOMMENDED MINIMUM LENGTH [55mm] 2.25" PLUS MOUNTING PLATE THICKNESS AND NUT IF REQUIRED.
2. SECONDARY MOUNTING OPTION; RECOMMENDED BOLT LENGTH [15mm] .625" PLUS MOUNTING PLATE THICKNESS.
3. OPENING NEEDED IN MOUNTING SURFACE IF USING OPTIONAL DRAIN FITTINGS.
4. SENSORS ARE OPTIONAL, ADJUST POSITION AS NEEDED FOR PROCESS. SENSORS ARE MOUNTABLE WITH OPTIONAL BRACKETS OR ZIP TIES.

<https://wkfluidhandling.com/cba-series/>