



CPA-4 Dimensions

inches [mm]

CPA-4 Dimensions

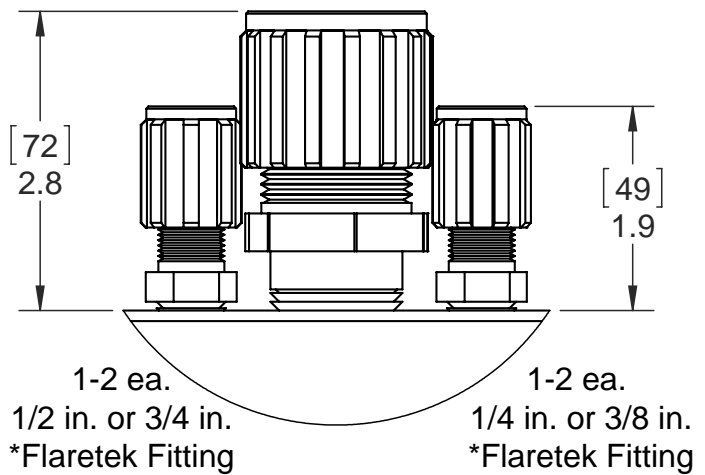
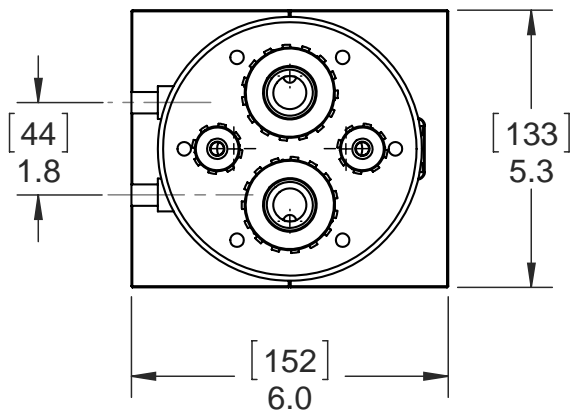
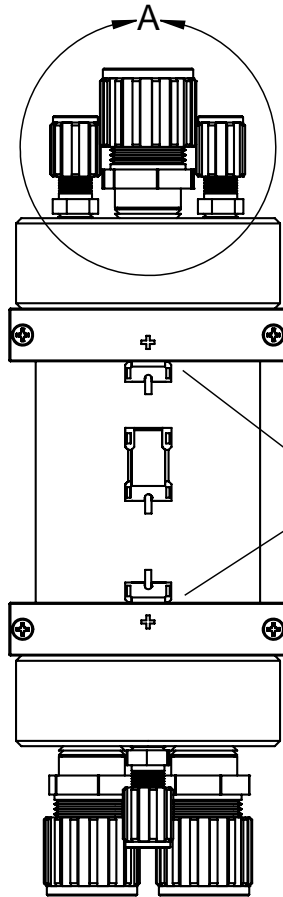
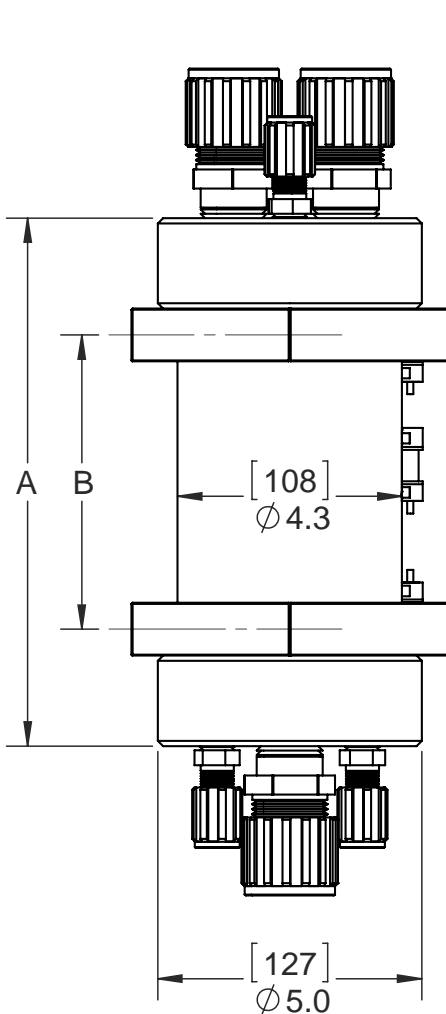
mm (in)

	A (without diptube)	A (with diptube)	B
1 liter	254 (10.0)	270 (10.6)	142 (5.6)
2 liter	393 (15.5)	409 (16.1)	280 (11.1)
3 liter	531 (20.9)	547 (21.5)	419 (16.5)
4 liter	755 (29.7)	771 (30.4)	643 (25.3)
5 liter	894 (35.2)	910 (35.8)	782 (30.8)
6 liter	1033 (40.7)	1049 (41.3)	920 (39.0)

* Fitting height will vary according to type of fitting used.
Other fitting options include Super 300 Pillar, Weldable, FNPT.
Unused parts are plugged with Tongue-and-Groove seal plug.

Capacitive high/low
liquid level sensors

DETAIL A
SCALE 1 : 2



<https://wkfluidhandling.com/pressure-vessels/>

