

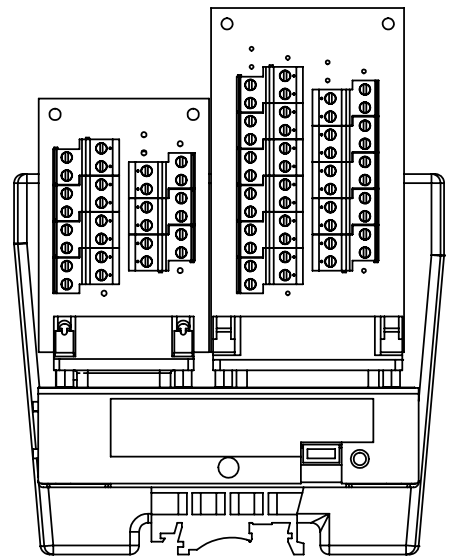
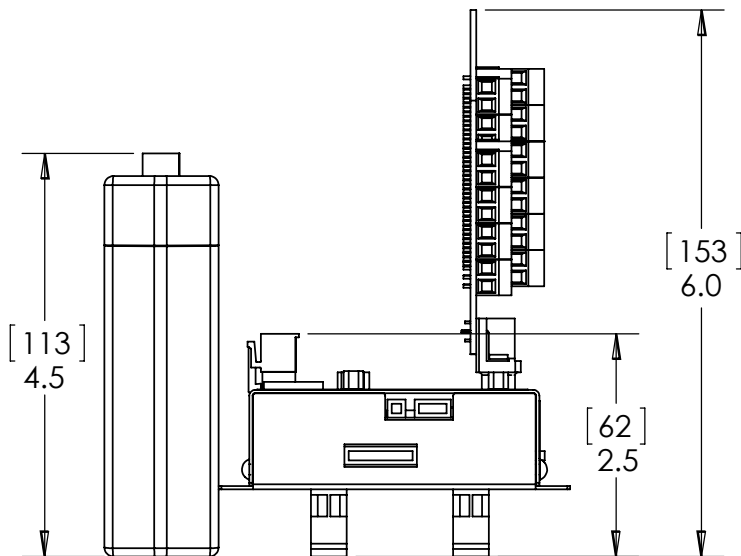
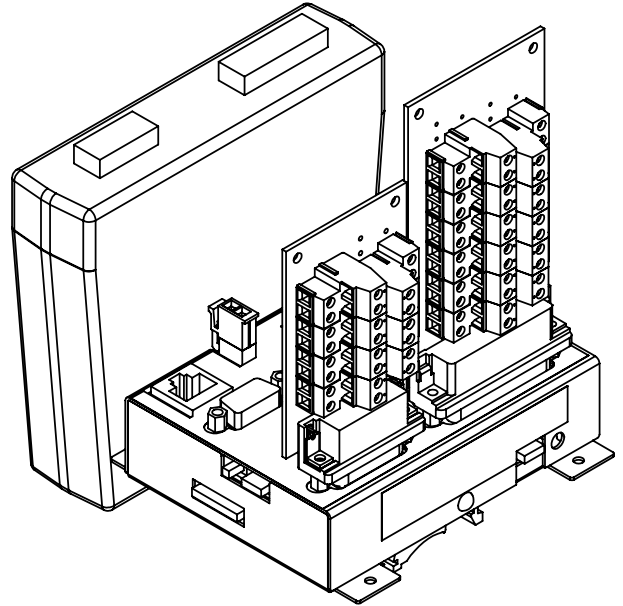
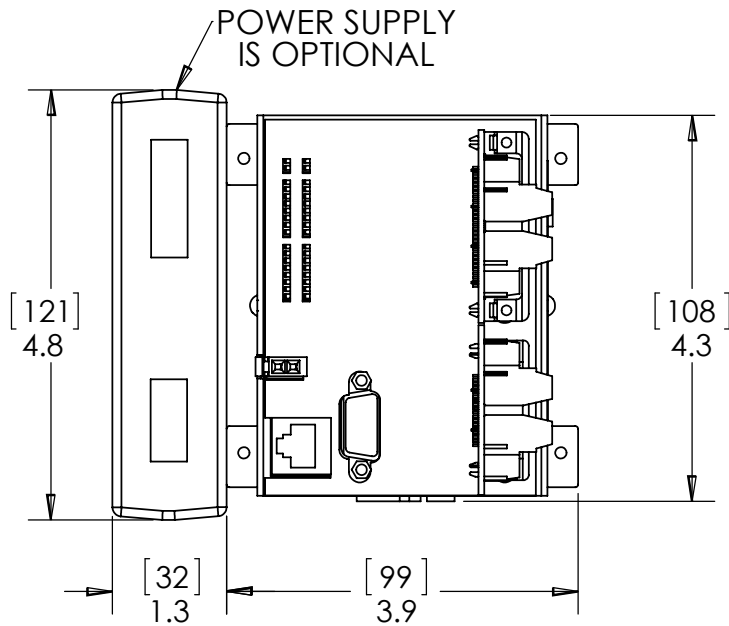


**WHITE
KNIGHT®**

CPC-1-S DIMENSIONALS

CPC-1-S Dimensions

DIMENSIONS IN [MILLIMETERS] INCHES



<https://wkfluidhandling.com/cpc-1>

