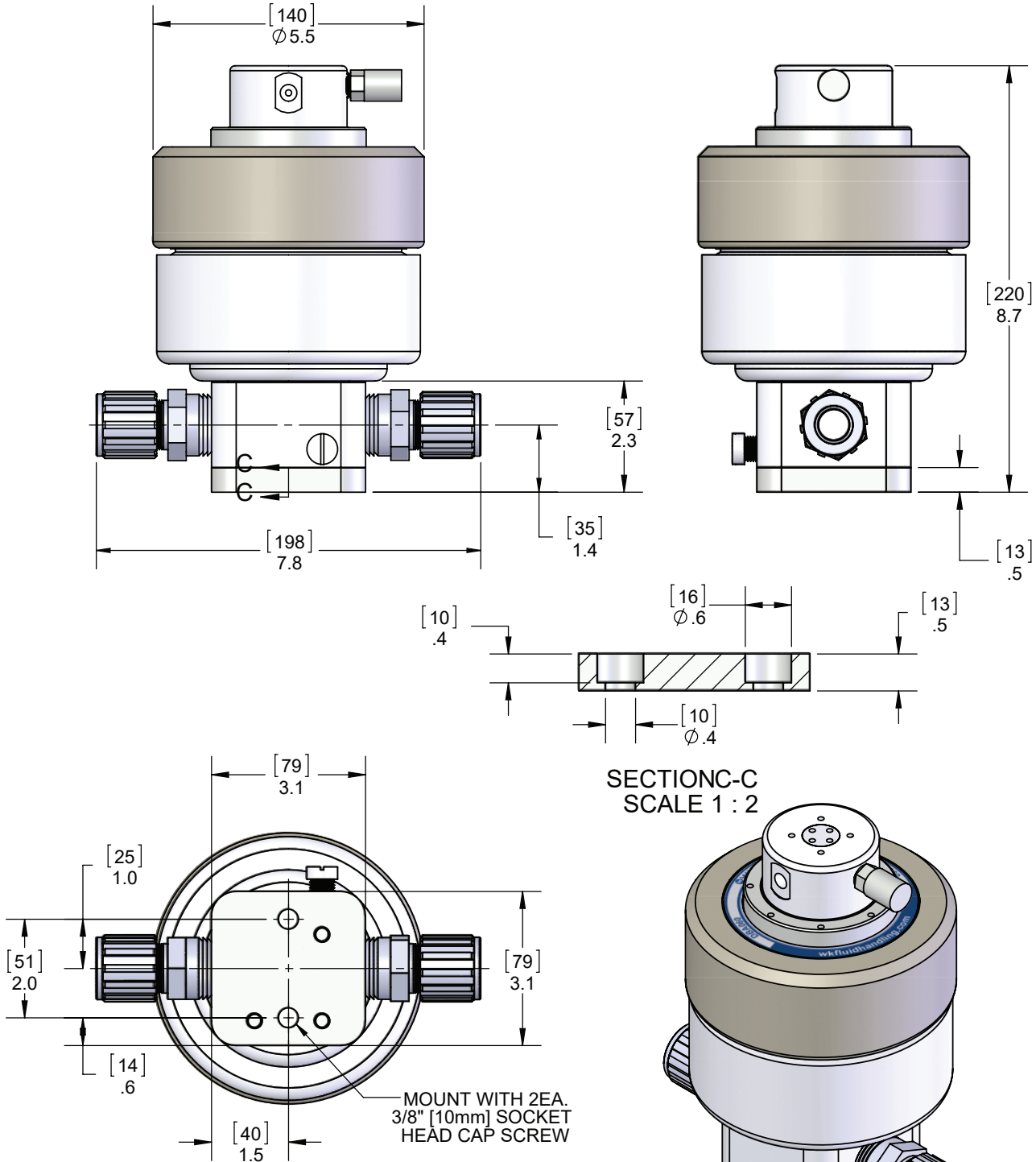


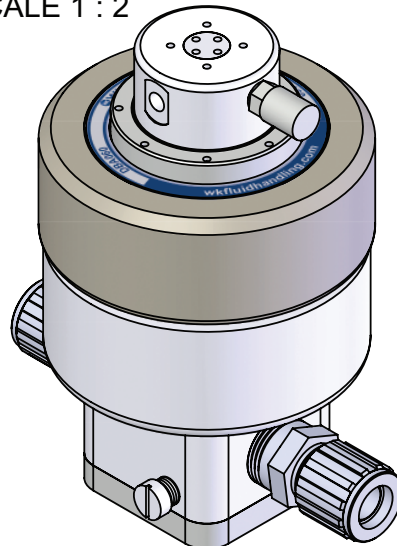


DBA060-I060 Dimensions

Dimensions: [mm] in



**MAIN DIMENSIONS ARE INCHES,
[BRACKETED] DIMENSIONS ARE mm.**



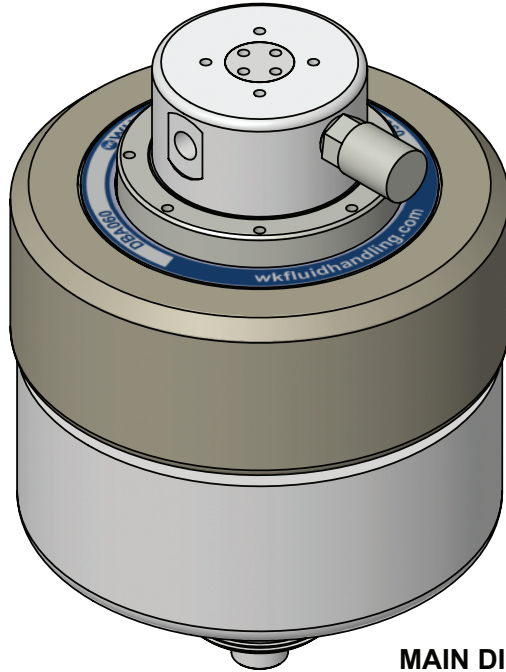
<https://wkfluidhandling.com/dba-series/>



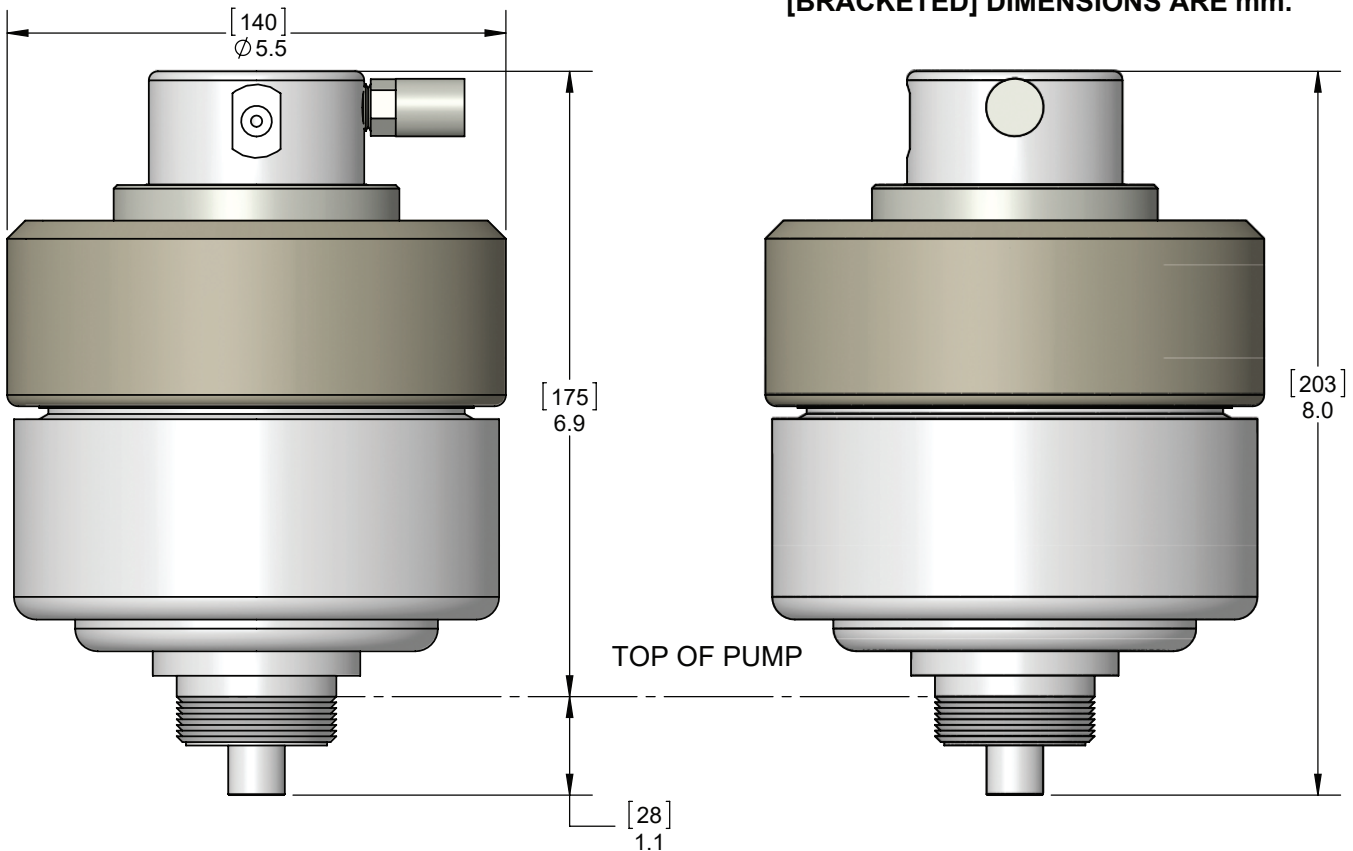


DBA060-T060 Dimensions

Dimensions: [mm] in



MAIN DIMENSIONS ARE INCHES,
[BRACKETED] DIMENSIONS ARE mm.



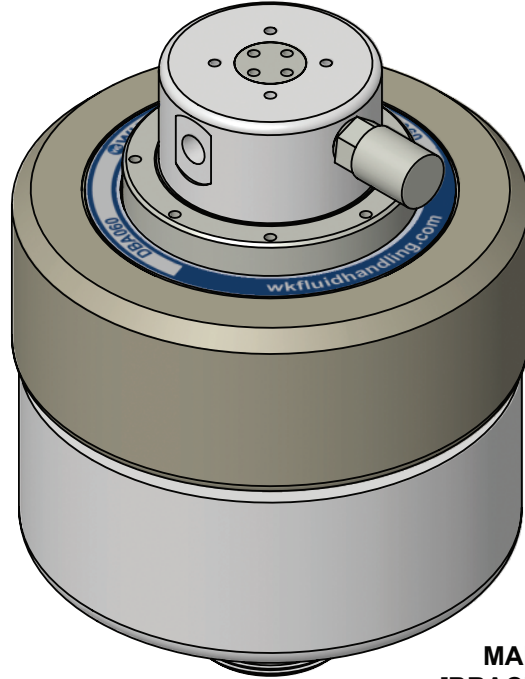
<https://wkfluidhandling.com/dba-series/>



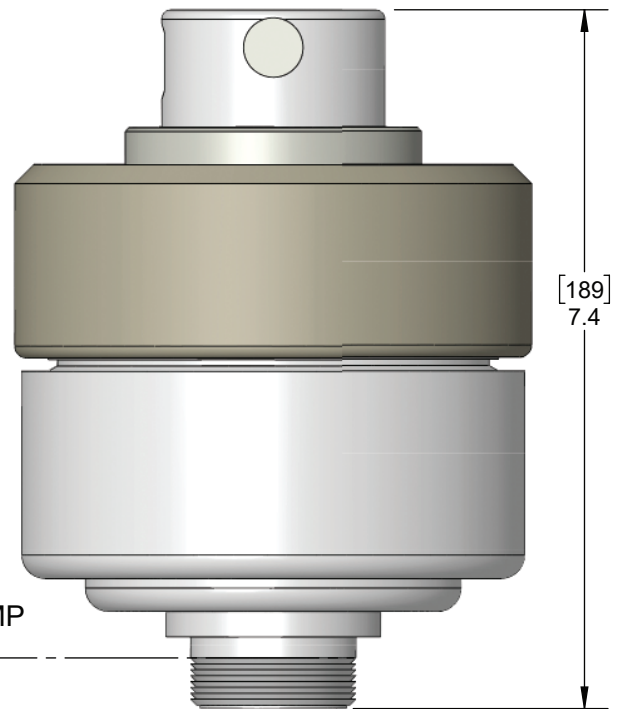
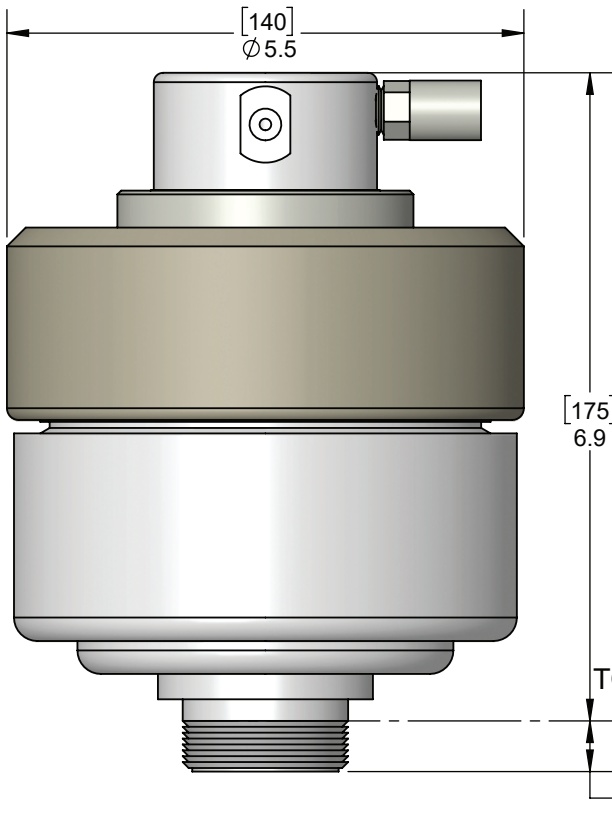


DBA060-A060 Dimensions

Dimensions: [mm] in



MAIN DIMENSIONS ARE INCHES,
[BRACKETED] DIMENSIONS ARE mm.
DUE TO ROUNDING ALL MEASUREMENTS
ARE +/- .050"



TOP OF PUMP

<https://wkfluidhandling.com/dba-series/>

