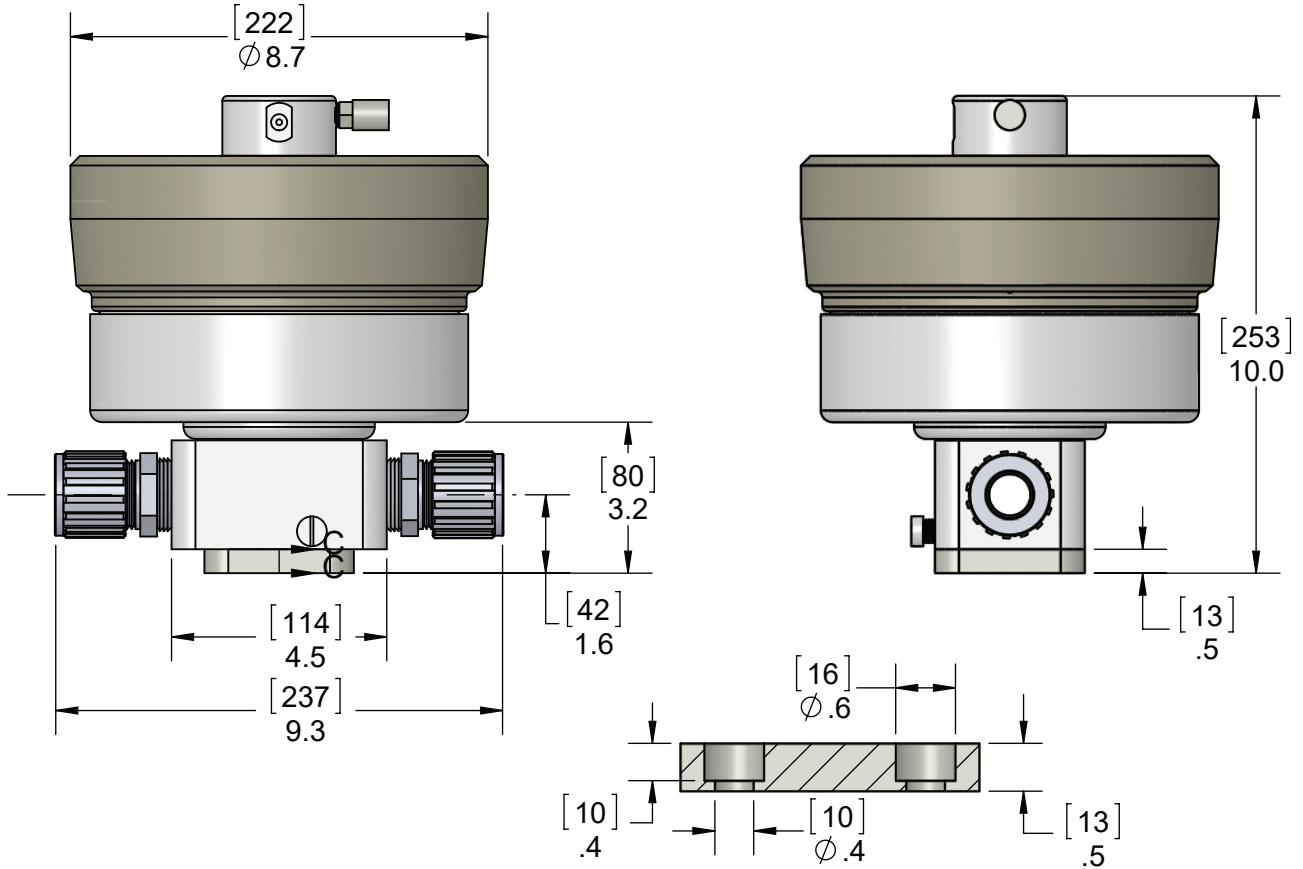




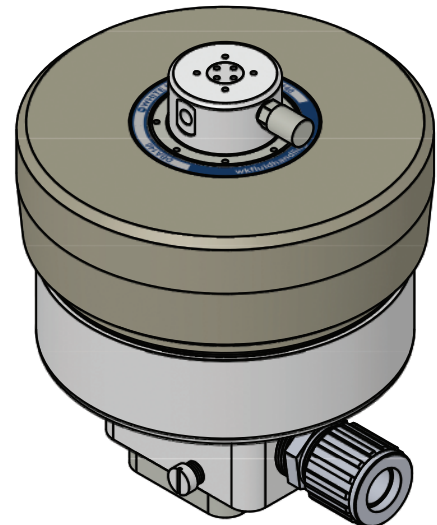
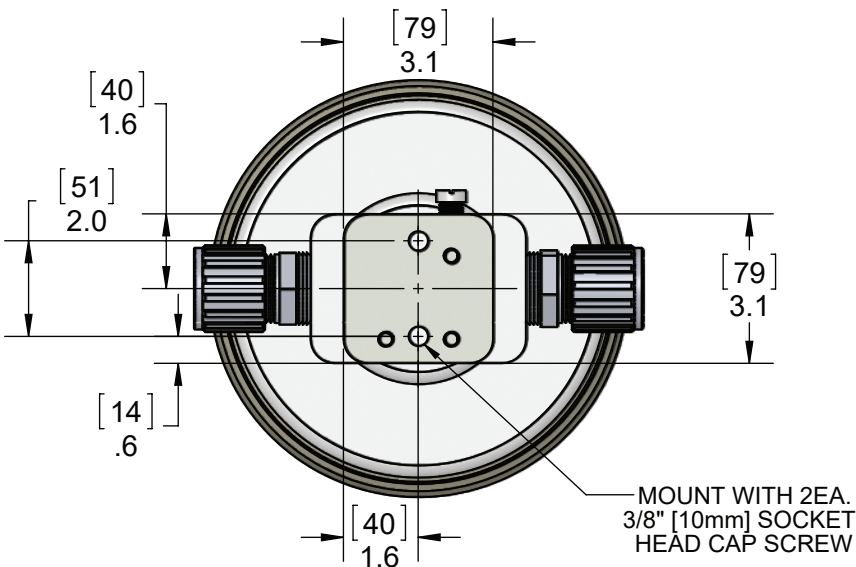
DBA140-I140 Dimensions

Dimensions: [mm] in



MAIN DIMENSIONS ARE INCHES,
[BRACKETED] DIMENSIONS ARE mm.

SECTION C-C
SCALE 1 : 2



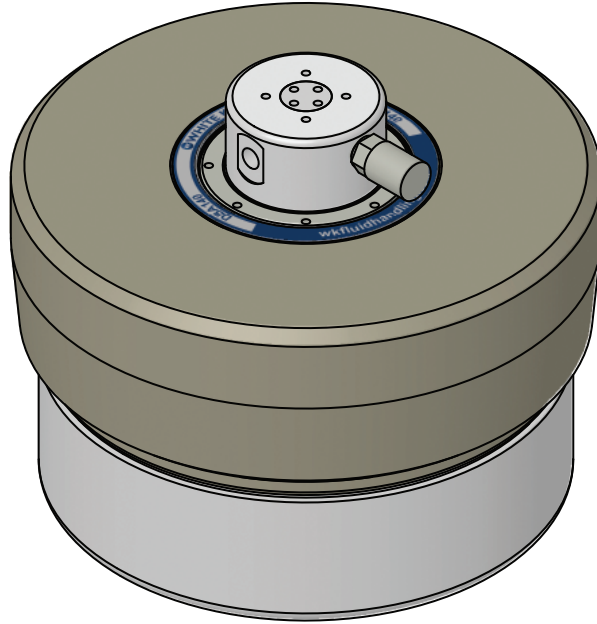
<https://wkfluidhandling.com/dba-series/>



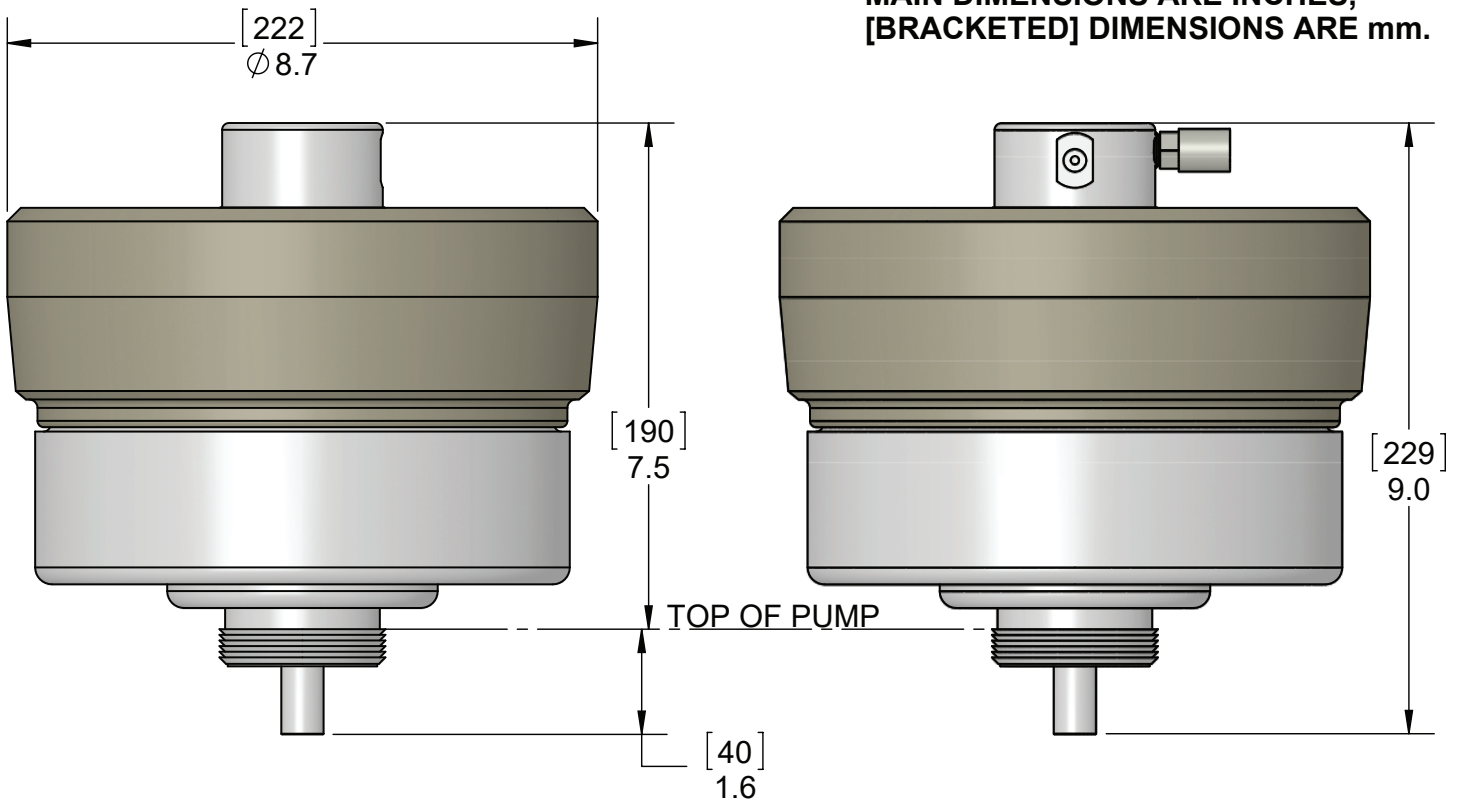


DBA140-T140 Dimensions

Dimensions: [mm] in



**MAIN DIMENSIONS ARE INCHES,
[BRACKETED] DIMENSIONS ARE mm.**



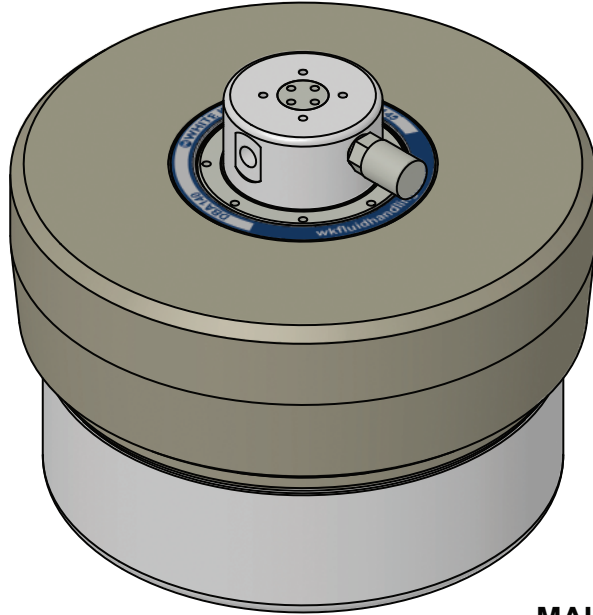
<https://wkfluidhandling.com/dba-series/>



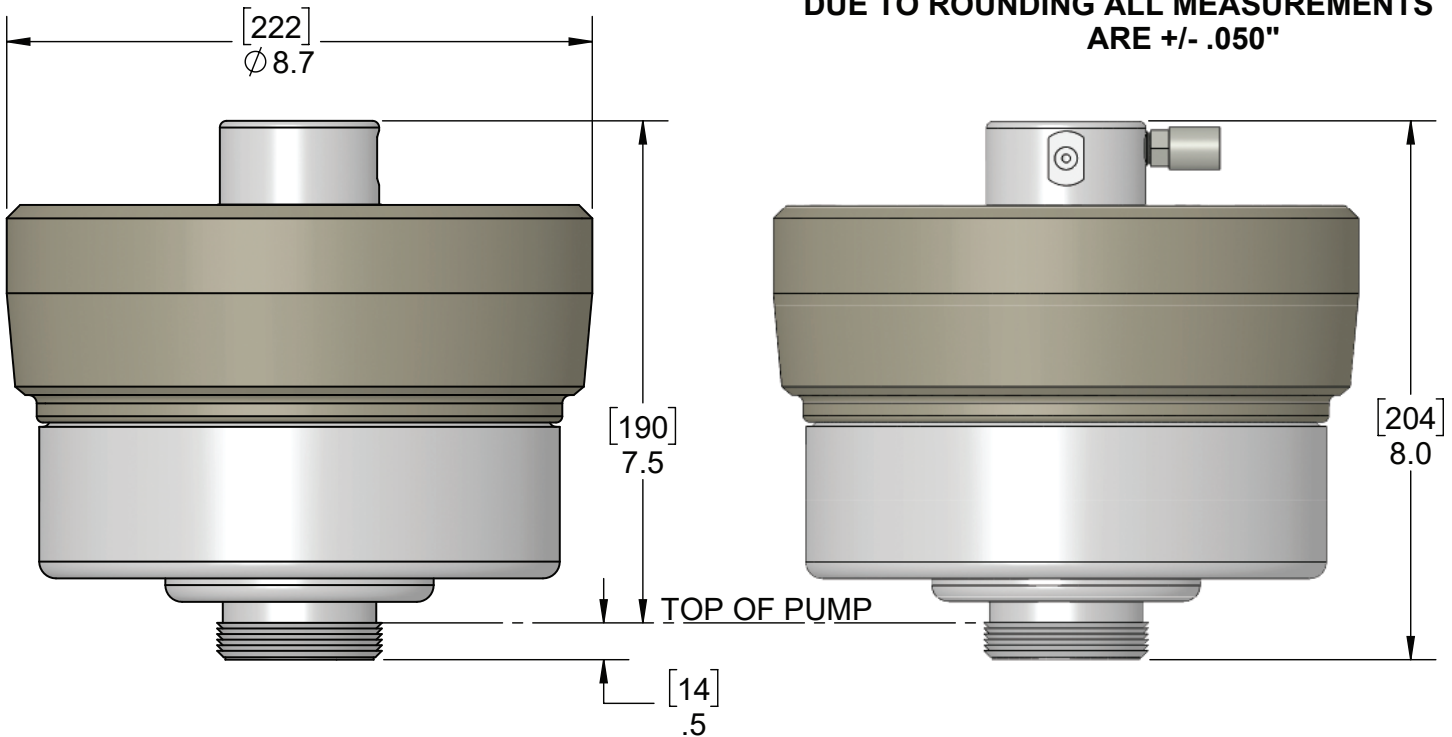


DBA140-A140 Dimensions

Dimensions: [mm] in



**MAIN DIMENSIONS ARE INCHES,
[BRACKETED] DIMENSIONS ARE mm.
DUE TO ROUNDING ALL MEASUREMENTS
ARE +/- .050"**



<https://wkfluidhandling.com/dba-series/>

