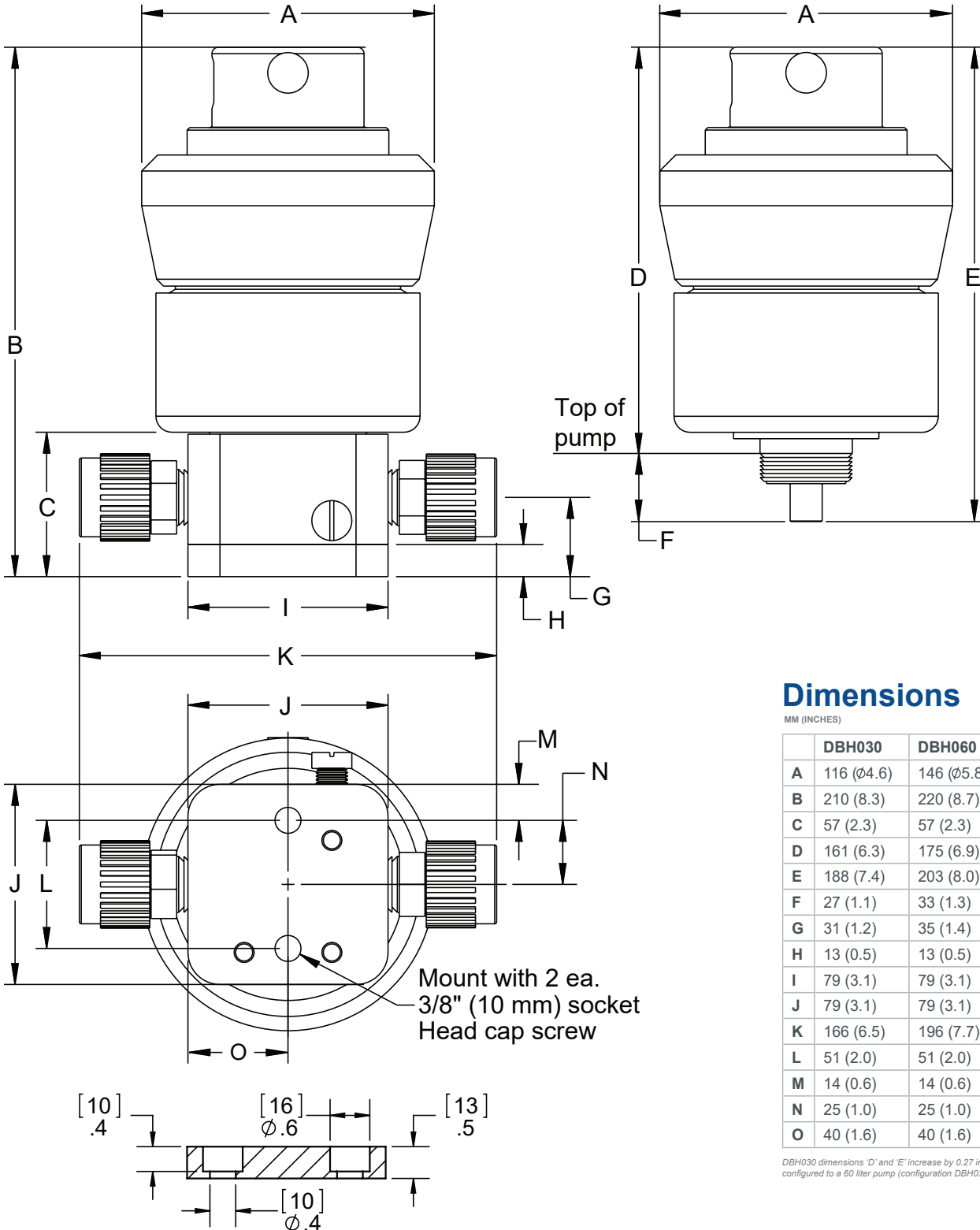




Dimensions

[MM] [INCHES]



Dimensions

MM (INCHES)

	DBH030	DBH060	DBH140
A	116 (ø4.6)	146 (ø5.8)	225 (ø8.9)
B	210 (8.3)	220 (8.7)	253 (10.0)
C	57 (2.3)	57 (2.3)	80 (3.2)
D	161 (6.3)	175 (6.9)	190 (7.5)
E	188 (7.4)	203 (8.0)	229 (9.0)
F	27 (1.1)	33 (1.3)	40 (1.6)
G	31 (1.2)	35 (1.4)	42 (1.6)
H	13 (0.5)	13 (0.5)	13 (0.5)
I	79 (3.1)	79 (3.1)	114 (4.5)
J	79 (3.1)	79 (3.1)	79 (3.1)
K	166 (6.5)	196 (7.7)	238 (9.4)
L	51 (2.0)	51 (2.0)	51 (2.0)
M	14 (0.6)	14 (0.6)	14 (0.6)
N	25 (1.0)	25 (1.0)	25 (1.0)
O	40 (1.6)	40 (1.6)	40 (1.6)

DBH030 dimensions 'D' and 'E' increase by 0.27 in. when configured to a 60 liter pump (configuration DBH030-T060).

<https://wkfluidhandling.com/dbh>

