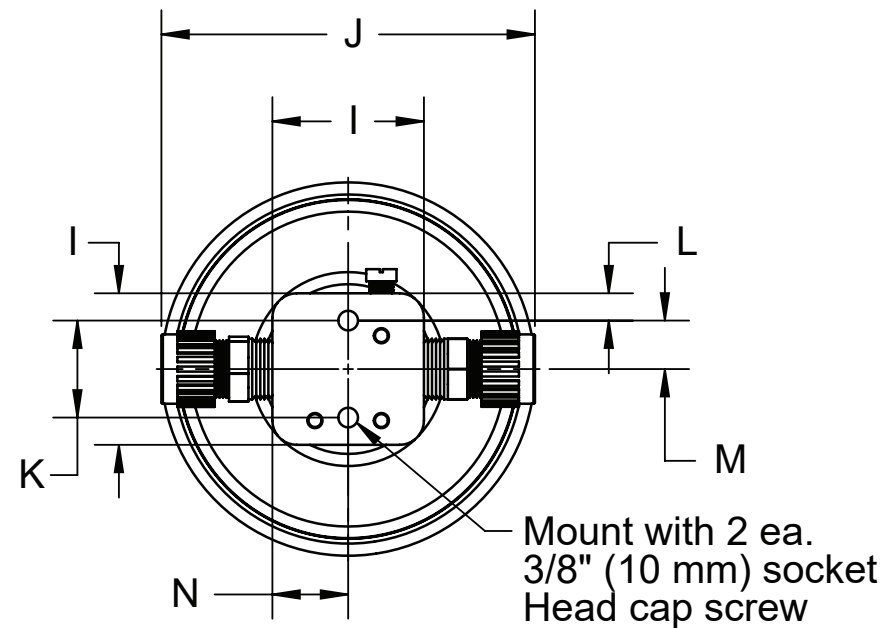
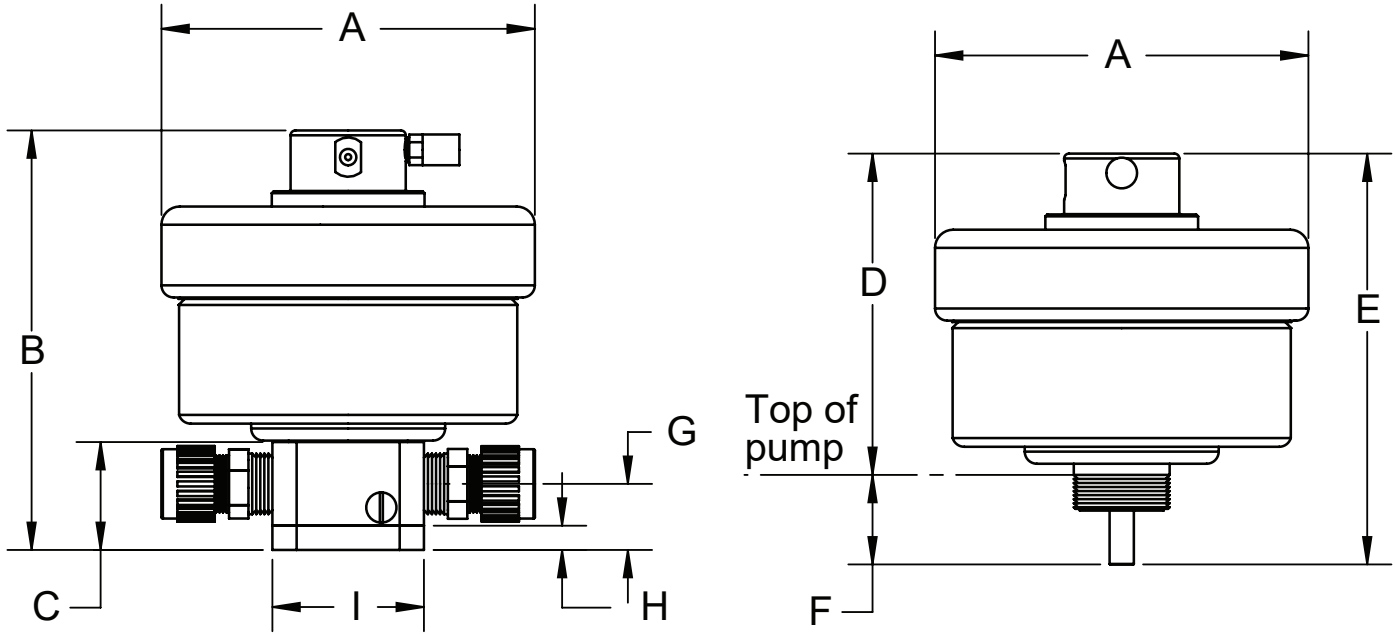




## Dimensions

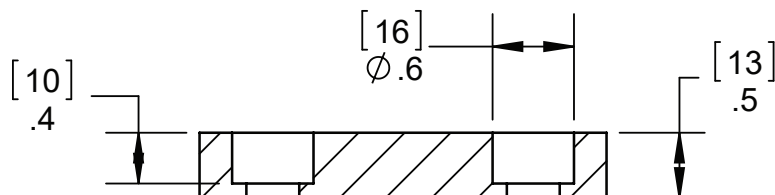
[MILLIMETERS] INCHES



## Dimensions

MILLIMETERS (INCHES)

	DBU030	DBU060	DBU140
A	140 (Ø5.5)	196 (Ø7.7)	249 (Ø9.8)
B	211 (8.3)	220 (8.7)	-
C	57 (2.3)	57 (2.3)	-
D	163 (6.4)	168 (6.6)	199 (7.8)
E	198 (7.8)	215 (8.5)	258 (10.2)
F	35 (1.4)	47 (1.8)	59 (2.3)
G	31 (1.2)	35 (1.4)	-
H	13 (0.5)	13 (0.5)	-
I	79 (3.1)	79 (3.1)	-
J	166 (6.5)	196 (7.7)	-
K	51 (2.0)	51 (2.0)	-
L	14 (0.6)	14 (0.6)	-
M	25 (1.0)	25 (1.0)	-
N	40 (1.6)	40 (1.6)	-



<https://wkfluidhandling.com/dbu>

