



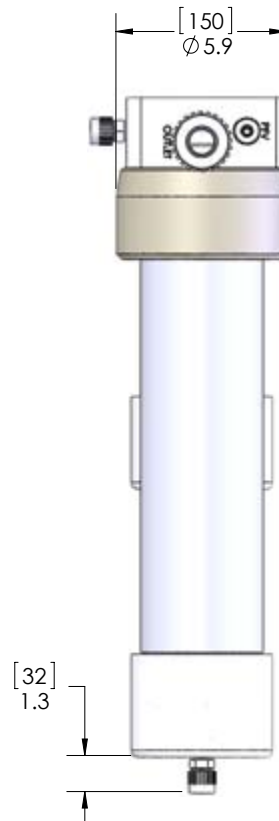
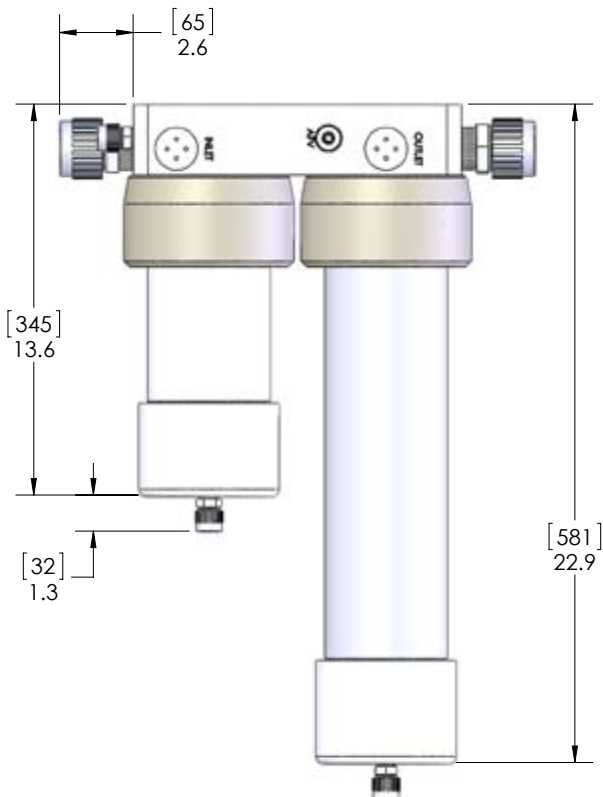
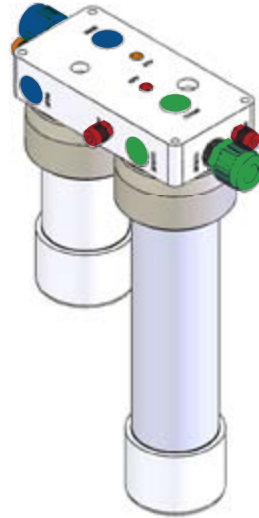
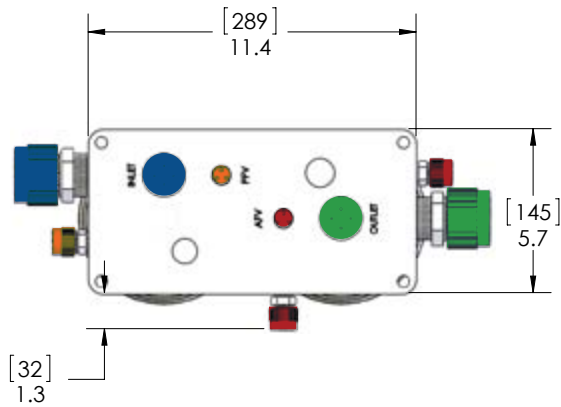
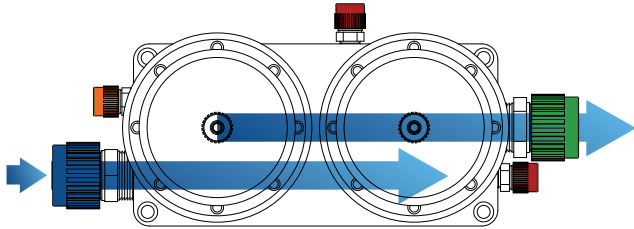
**WHITE KNIGHT®**

.....engineer approved™

# FHA DIMENSIONALS

## FHA-02-P Dimensions

Dimensions in mm (inches)



<https://wkfluidhandling.com/fha/>

