



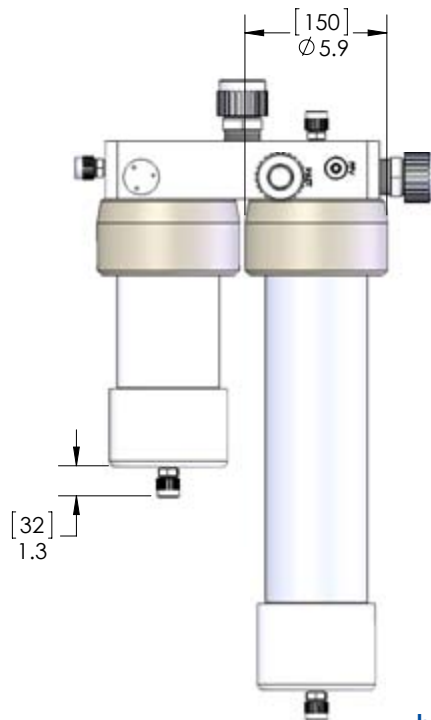
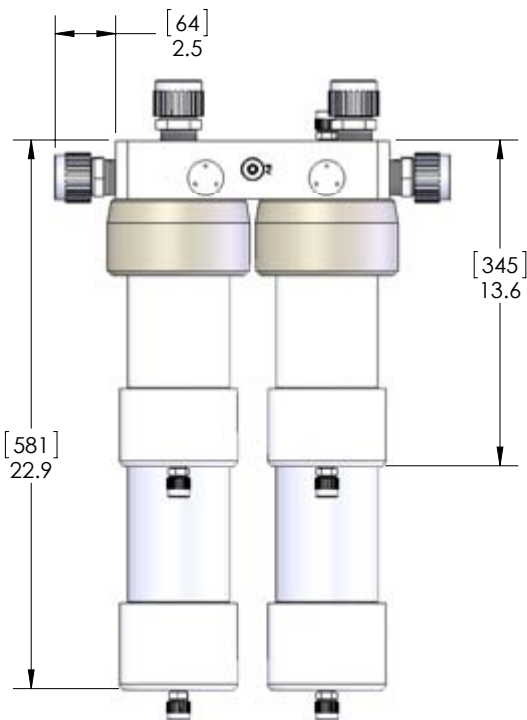
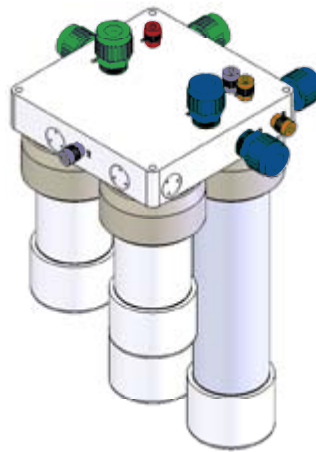
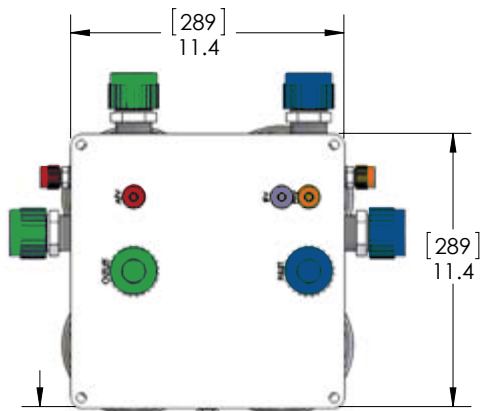
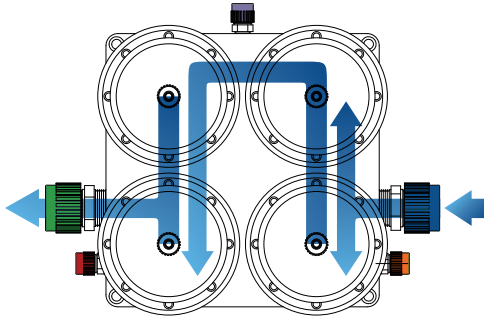
WHITE KNIGHT®

.....engineer approved™

FHA DIMENSIONALS

FHA-04-S Dimensions

Dimensions in mm (inches)



<https://wkfluidhandling.com/fha/>

