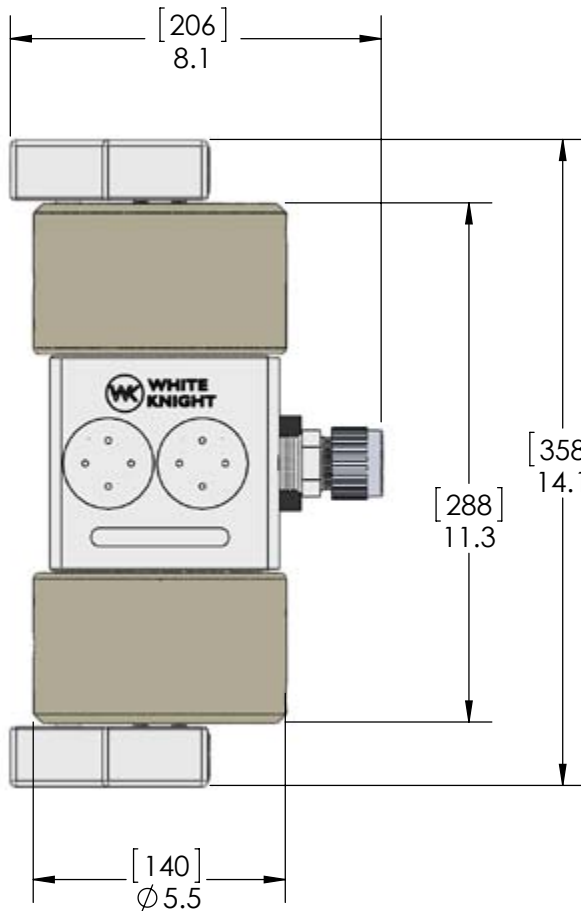
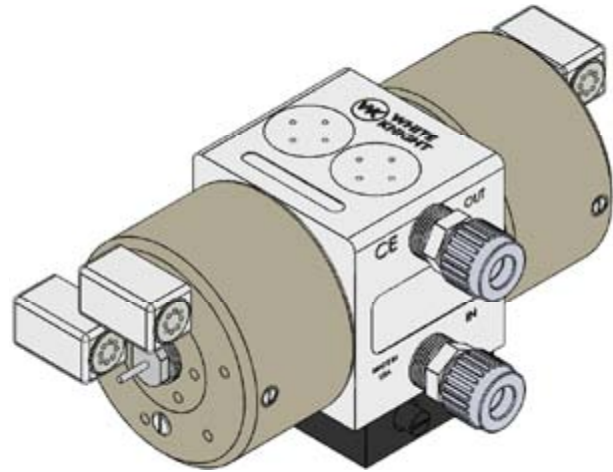


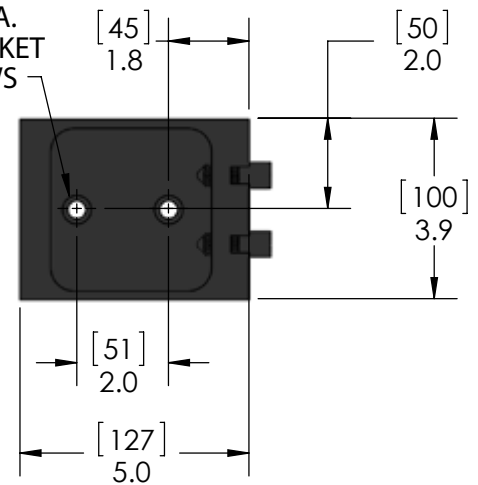


Dimensions

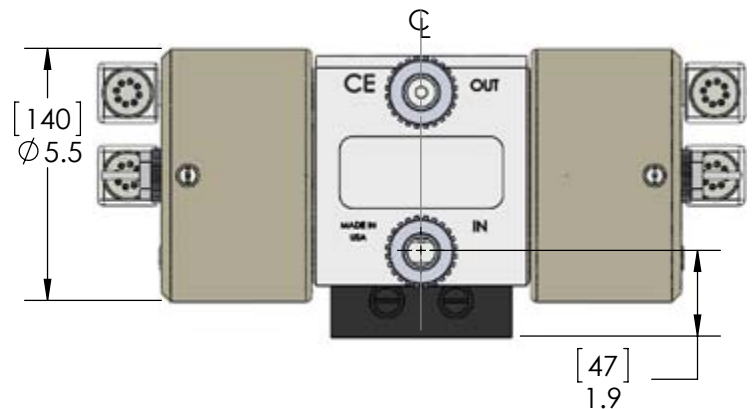
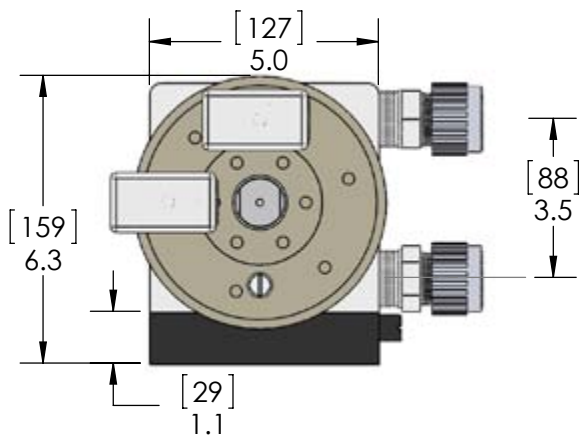
Dimensions in [mm] inches



MOUNT WITH 2 EA.
3/8" (10 mm) SOCKET
HEAD CAP SCREWS



MAIN DIMENSIONS INCHES
[BRACKETED] DIMENSIONS mm



<https://wkfluidhandling.com/lha-series/>

