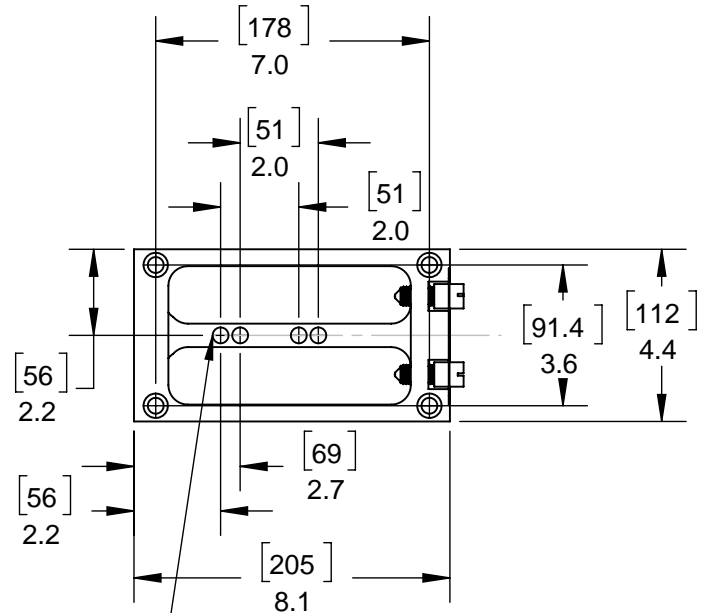
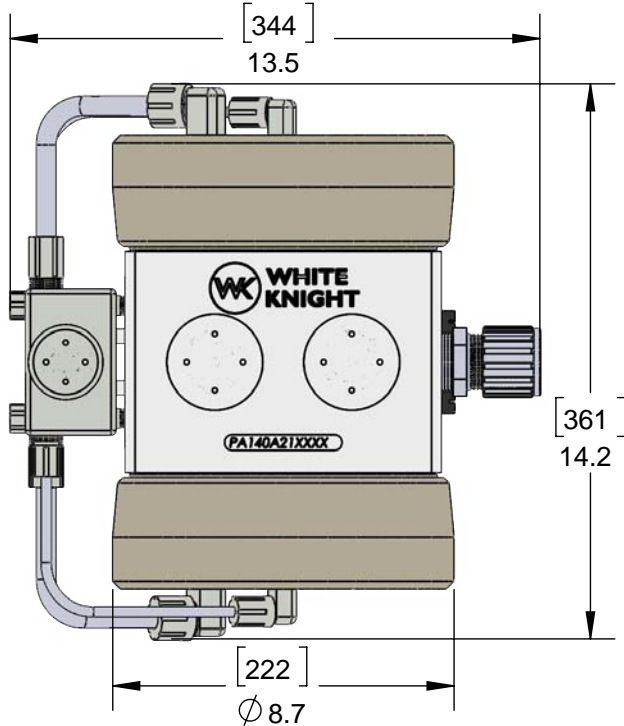




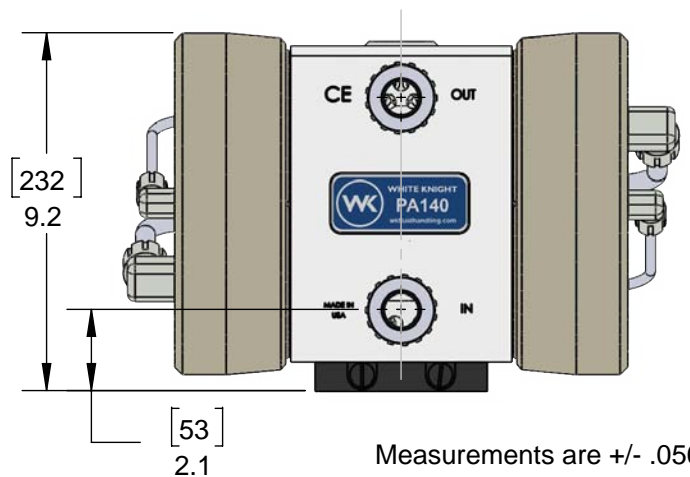
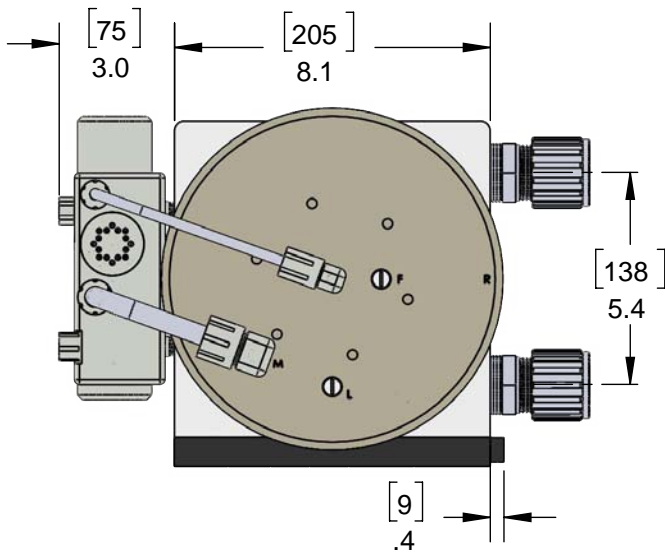
PA140 Dimensions

Dimensions: [mm] in



Mount with 2 ea. 3/8" (10 mm) Socket head cap screws

Mounting holes compatible with previous leverlock baseplates



Measurements are +/- .050"

