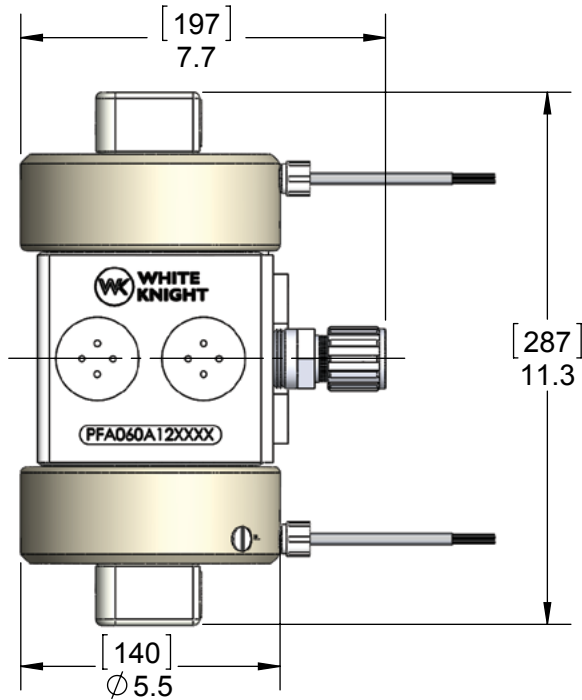




Dimensions

DIMENSIONS IN [MILLIMETERS] INCHES



3/8" (10 mm) SOCKET HEAD CAP SCREWS

