

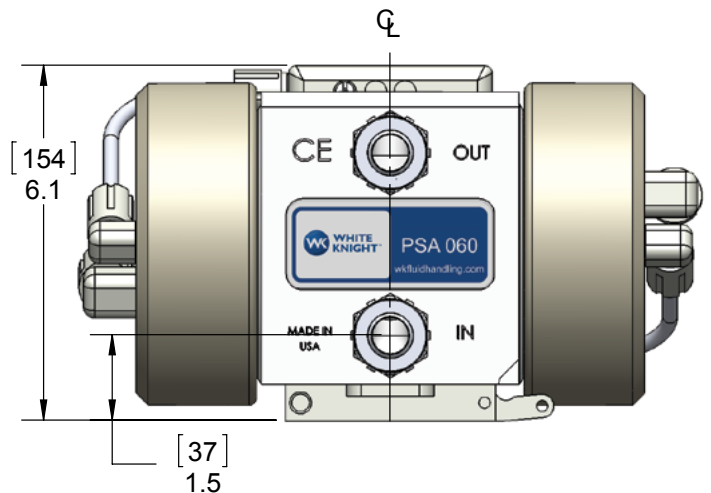
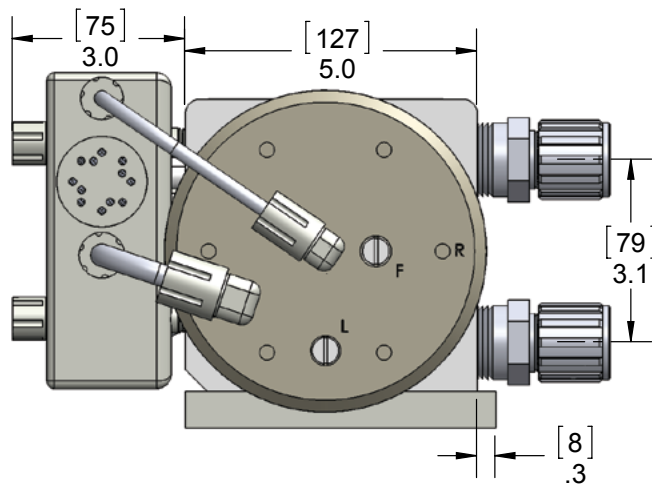
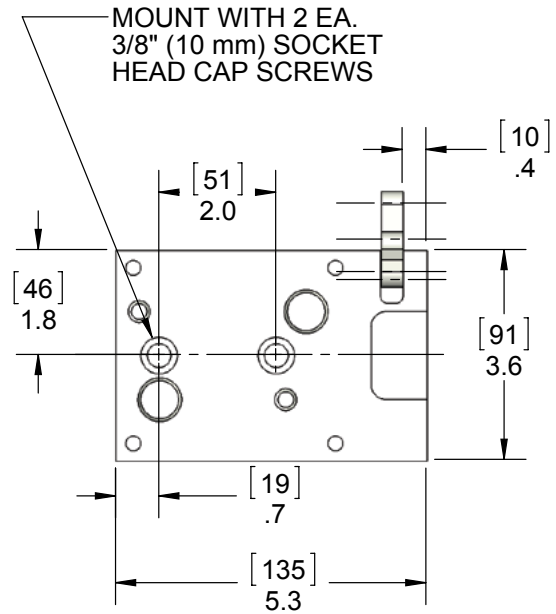
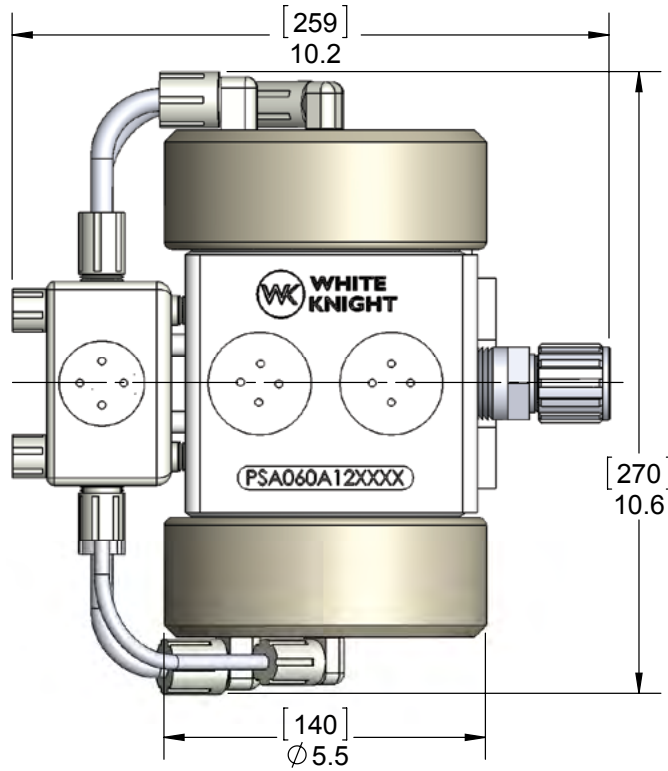


**WHITE KNIGHT®**

# PSA060 DIMENSIONALS

## Dimensions

DIMENSIONS IN [MILLIMETERS] INCHES



<https://wkfluidhandling.com/psa>

