

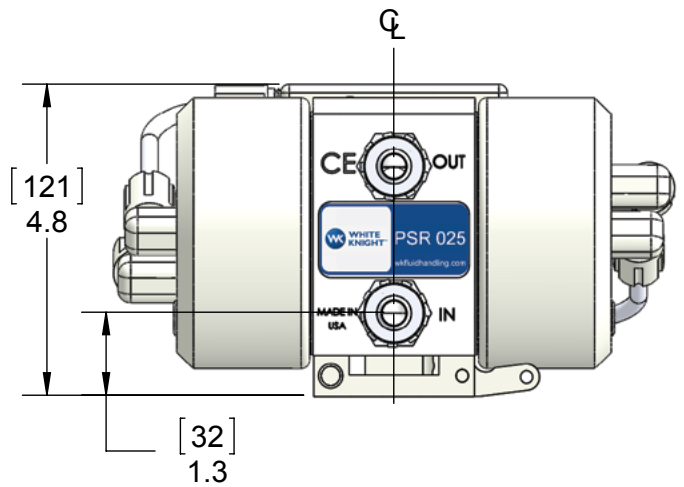
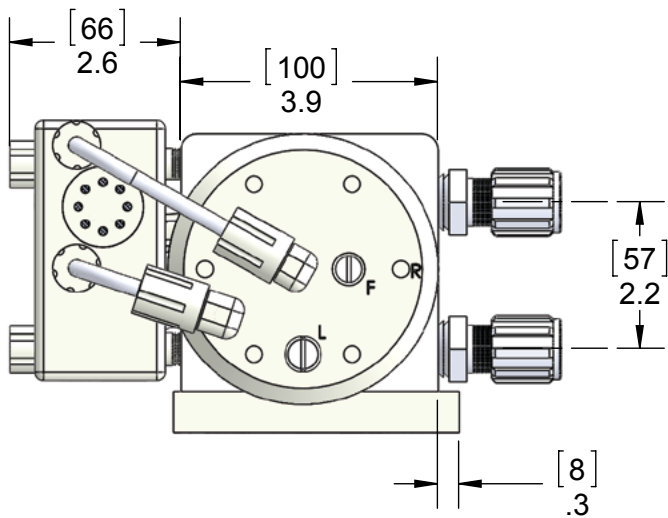
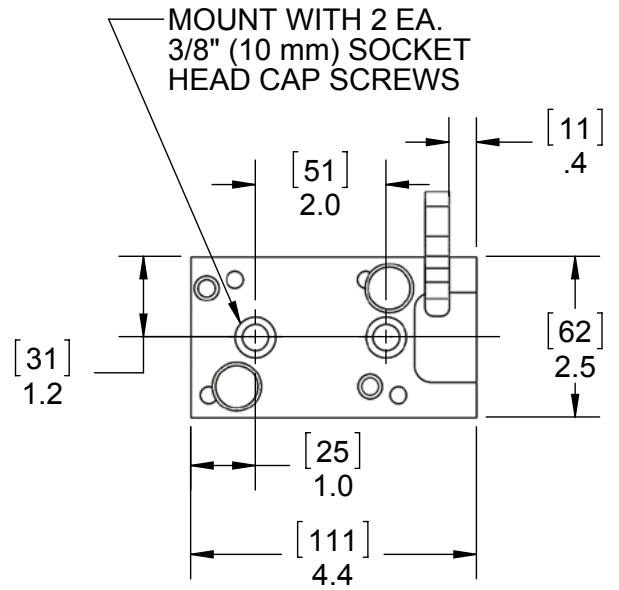
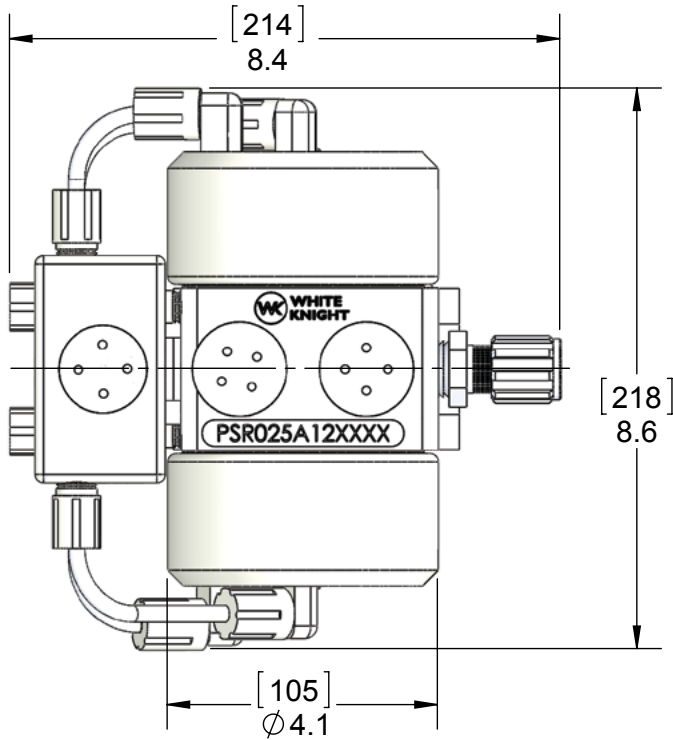


**WHITE KNIGHT®**

# PSR025 DIMENSIONALS

## Dimensions

DIMENSIONS IN [MILLIMETERS] INCHES



<https://wkfluidhandling.com/psr>

