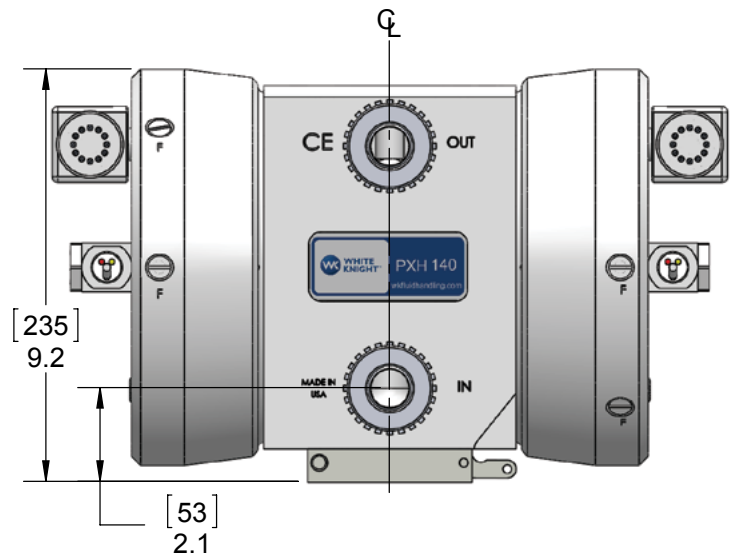
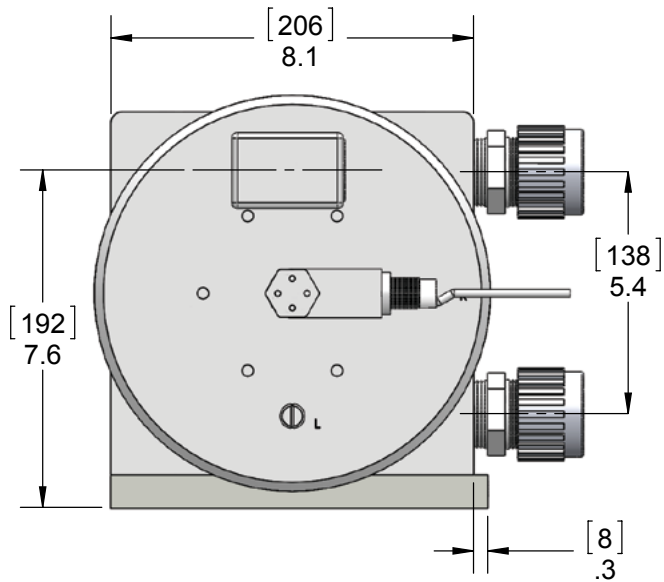
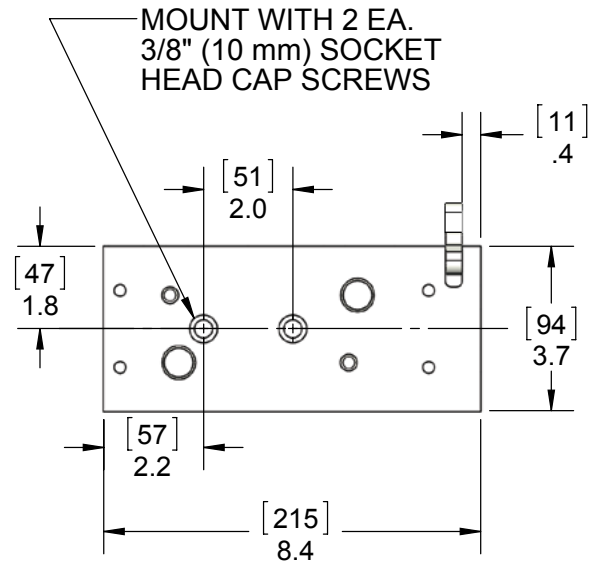
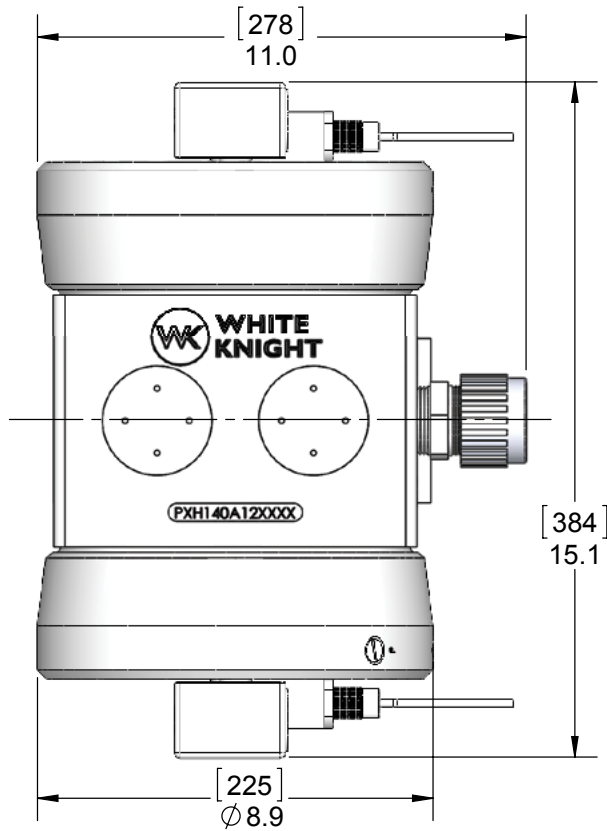




## Dimensions

DIMENSIONS IN [MILLIMETERS] INCHES



<https://wkfluidhandling.com/pxh>

