

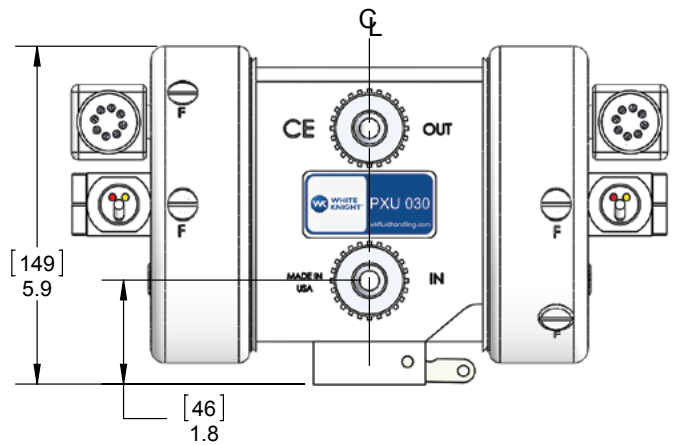
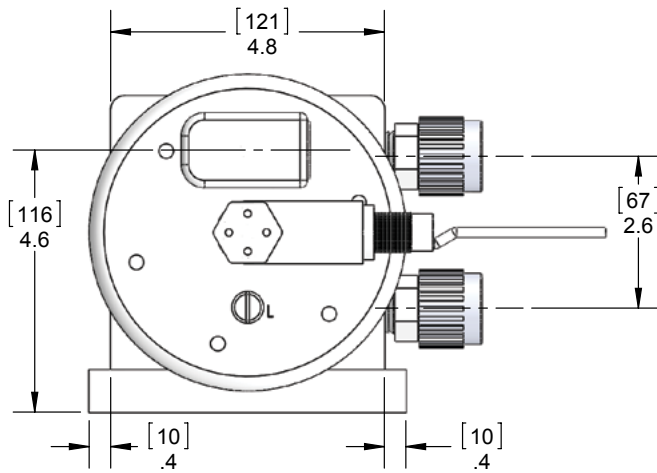
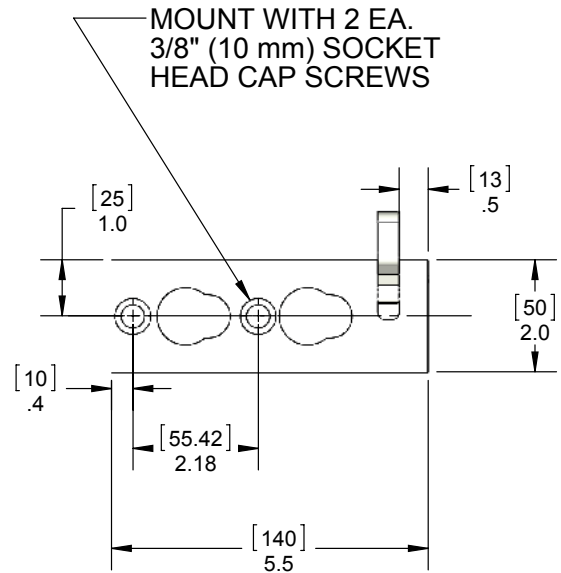
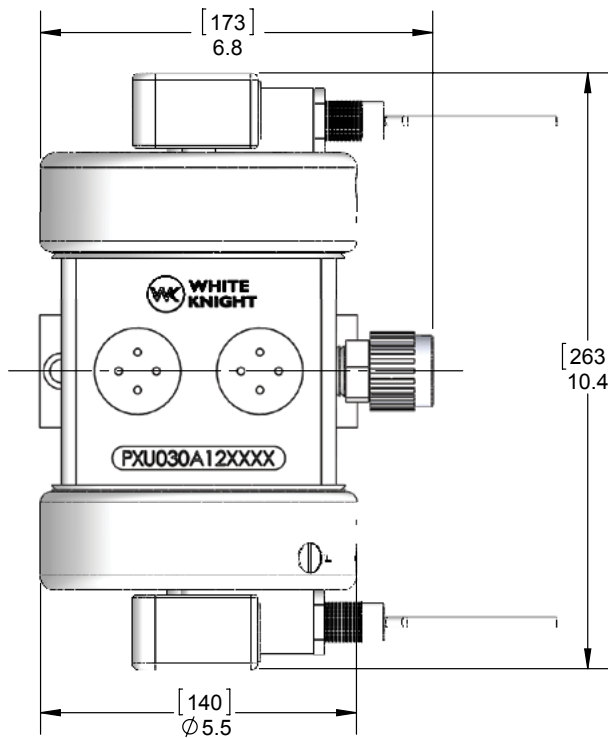


WHITE KNIGHT®

PXU030 DIMENSIONALS

Dimensions

DIMENSIONS IN [MILLIMETERS] INCHES



<https://wkfluidhandling.com/pxu>

