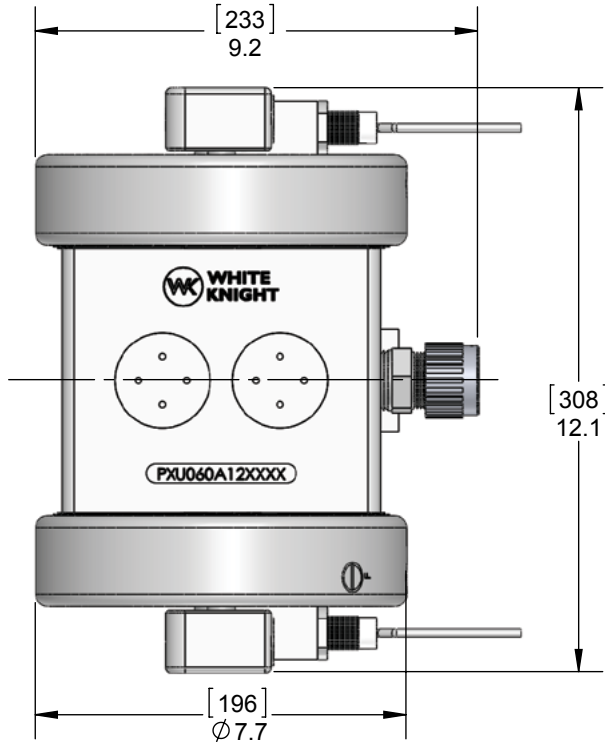




Dimensions

DIMENSIONS IN [MILLIMETERS] INCHES



MOUNT WITH 2 EA.
3/8" (10 mm) SOCKET
HEAD CAP SCREWS

