



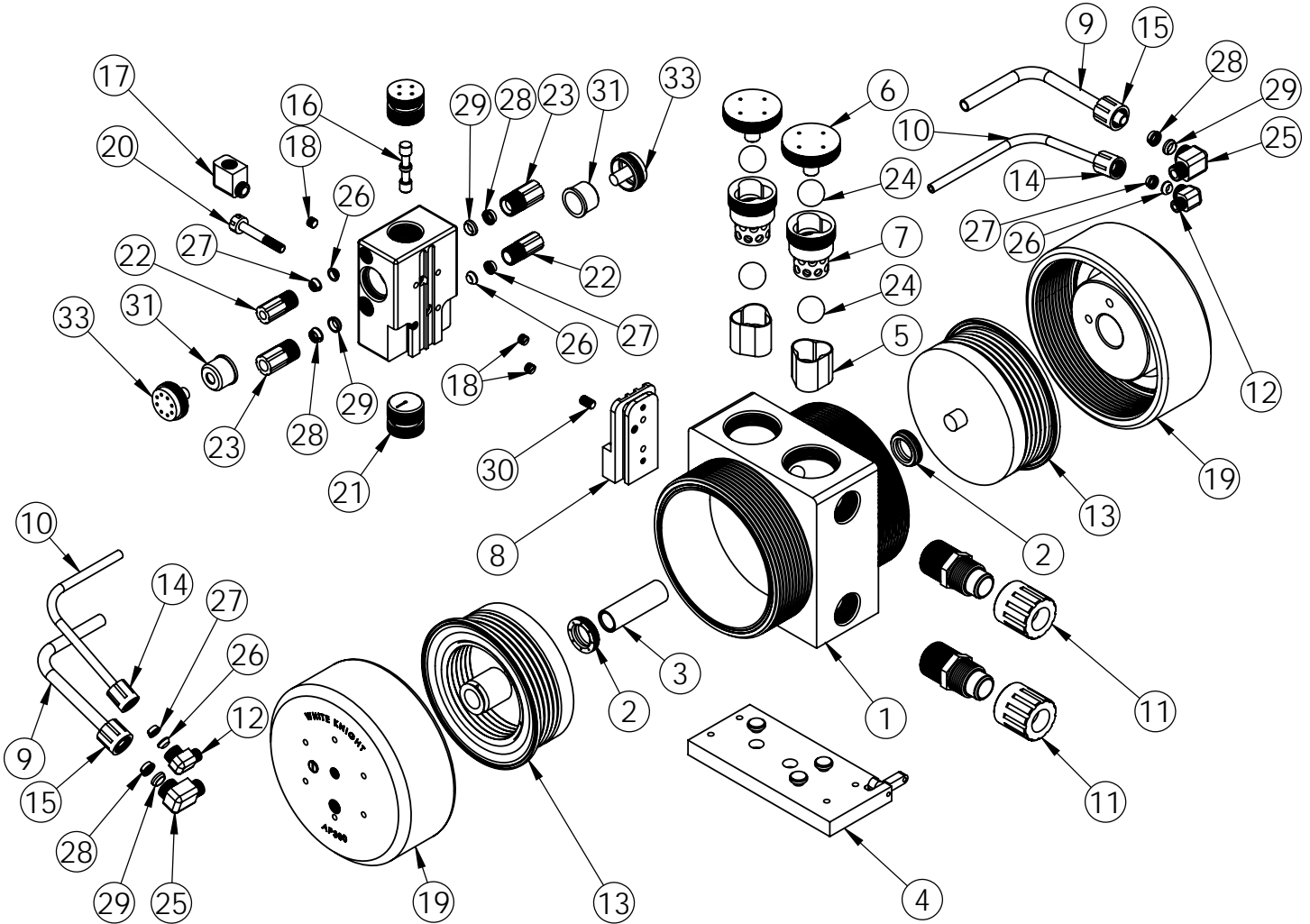
**WHITE KNIGHT®**

.....engineer approved™

# PUMP EXPLODED VIEW

## AP300 Exploded View

AP300 pumps are discontinued legacy models. We recommend users consider PSA140 pumps, which provide better performance, increased flow rates, higher pressure capabilities, improved reliability, extended pump life and warranty periods, as well as shorter lead times. Details: <https://wkfluidhandling.com/psa-series/>  
Discontinued 31 Dec 2015. Supported to 31 Dec 2020.



AP300 BILL OF MATERIALS							
ITEM NO.	PART NUMBER	DESCRIPTION	QTY.	ITEM NO.	PART NUMBER	DESCRIPTION	QTY.
1	1125-TE-0005	PUMP BODY	1	18	10040-TE-0002	1/8" NPT Plug	3
2	5143-TE-0002	SHAFT SEAL	2	19	2127-BP-0006	PUMP HEAD	2
3	5144-PF-0004	SHAFT	1	20	10010-BP-0008	SHUTTLE SET SCREW	1
4	14200-NP-0004	BASE PLATE ASSEMBLY	1	21	6530-TE-0003	SHUTTLE END CAP	2
5	4135-TE-0004	BOTTOM CHECK SEAT	2	22	6070-BP-0006	3/8" MALE GRIPPER NUT	2
6	4140-TE-0004	CHECK PLUG	2	23	6070-BP-0004	1/2" MALE GRIPPER NUT	2
7	4142-TE-0005	TOP CHECK CAGE	2	24	4100-TE-0004	CHECK BALL	4
8	6520-BP-0004	SHUTTLE ADAPTER PLATE	1	25	6020-BP-0004	3/8" NPT X 1/2" GRIPPER ELBOW	2
9	10071-PF-0011	TUBING, 1/2"	2	26	6080-TE-0002	3/8" FERRULE	4
10	10071-PF-0010	TUBING, 3/8"	2	27	6080-KF-0002	3/8" GRIPPER	4
11	14510-NP-0006	FLARE ASSEMBLY	2	28	6080-KF-0003	1/2" GRIPPER	4
12	6020-BP-0003	1/4" NPT x 3/8" GRIPPER ELBOW	2	29	6080-TE-0003	1/2" FERRULE	4
13	14300-PF-0004	BELLOWS ASSEMBLY	2	30	10010-TE-0008	ADAPTER PLATE SCREW	1
14	6070-BP-0002	3/8" FEMALE GRIPPER NUT	2	31	6140-TE-0003	WHISPER MUFFLER	2
15	6070-BP-0003	1/2" FEMALE GRIPPER NUT	2	32	14400-BP-0008	SHUTTLE BODY AND SLEEVE	1
16	6560-CE-0003	SHUTTLE SPOOL	1	33	6150-BP-0003	WHISPER MUFFLER CAP	2
17	6010-BP-0006	3/8" NPT x 3/8" FNPT ELBOW	1				

<https://wkfluidhandling.com/ap-series/>

