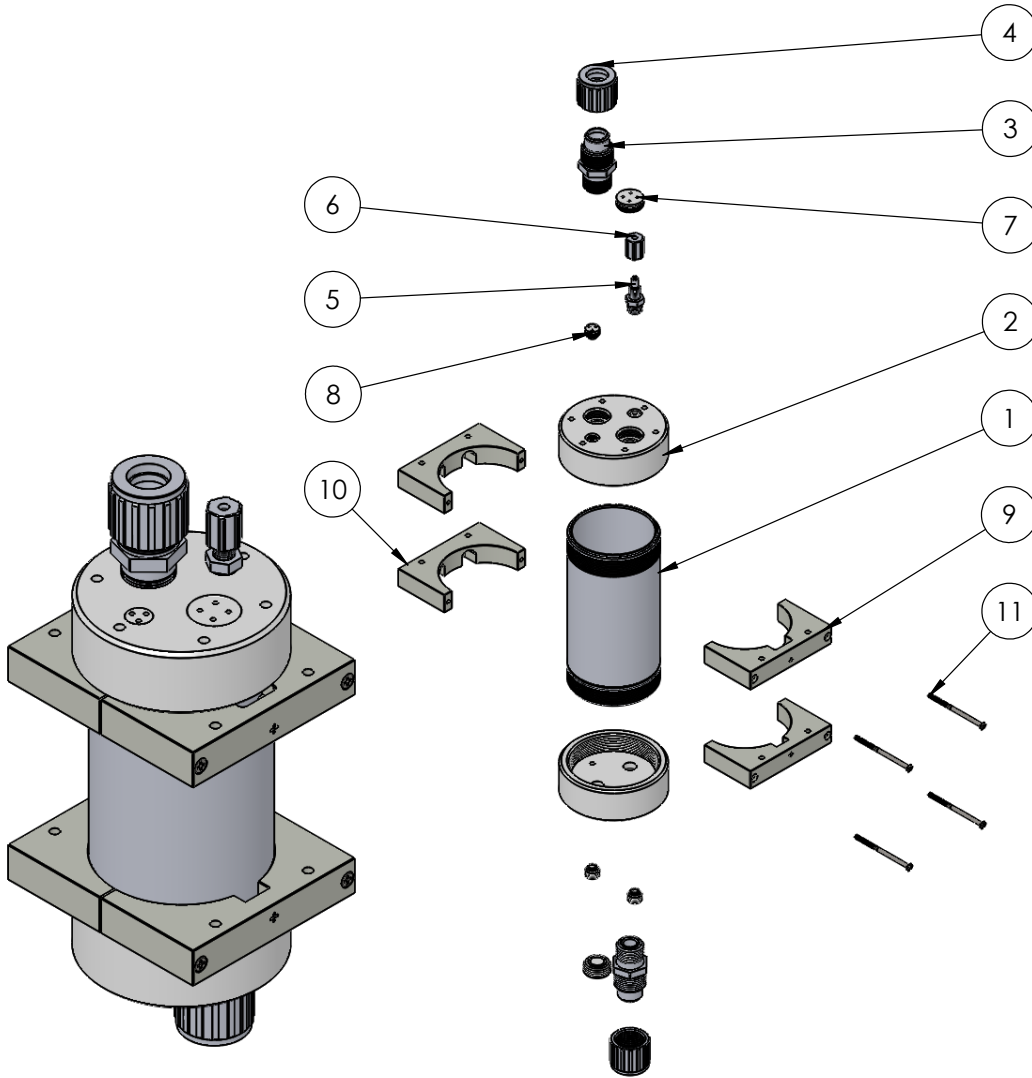


CPA-4A01L-F12-F04 Exploded View



| CPA-4A01L-F12-F04 | | | |
|-------------------|---------------|---------------------------------|------|
| ITEM NO. | PART NUMBER | DESCRIPTION | QTY. |
| 1 | 1125-PF-0004 | 1 LITER BODY, CPA-4 | 1 |
| 2 | 2160-TE-0006 | CAP, CPA-4 | 2 |
| 3 | 7200-PF-0007 | 1" FLARTEK-10GPM | 2 |
| 4 | 7210-PF-0005 | NUT, FLARETEK®, 1" | 2 |
| 5 | 7200-PF-0012 | 1/4" FLARETEK LIQUID FITTING | 1 |
| 6 | 7210-PF-0001 | 1/4" FLARETEK NUT | 1 |
| 7 | 7130-TE-0002 | FLUID PORT PLUG-10GPM, SHORT | 2 |
| 8 | 7130-TE-0006 | PLUG, FLUID PORT, 04 WK | 3 |
| 9 | 1146-NP-0027 | CLAMP, FRONT MOUNT, CPA-4 | 2 |
| 10 | 1146-NP-0028 | CLAMP, REAR MOUNT, CPA-4 | 2 |
| 11 | 10010-SS-0034 | SCREW, MOUNTING, 10-24 X 3.5 FH | 4 |

<https://wkfluidhandling.com/pressure-vessels/>