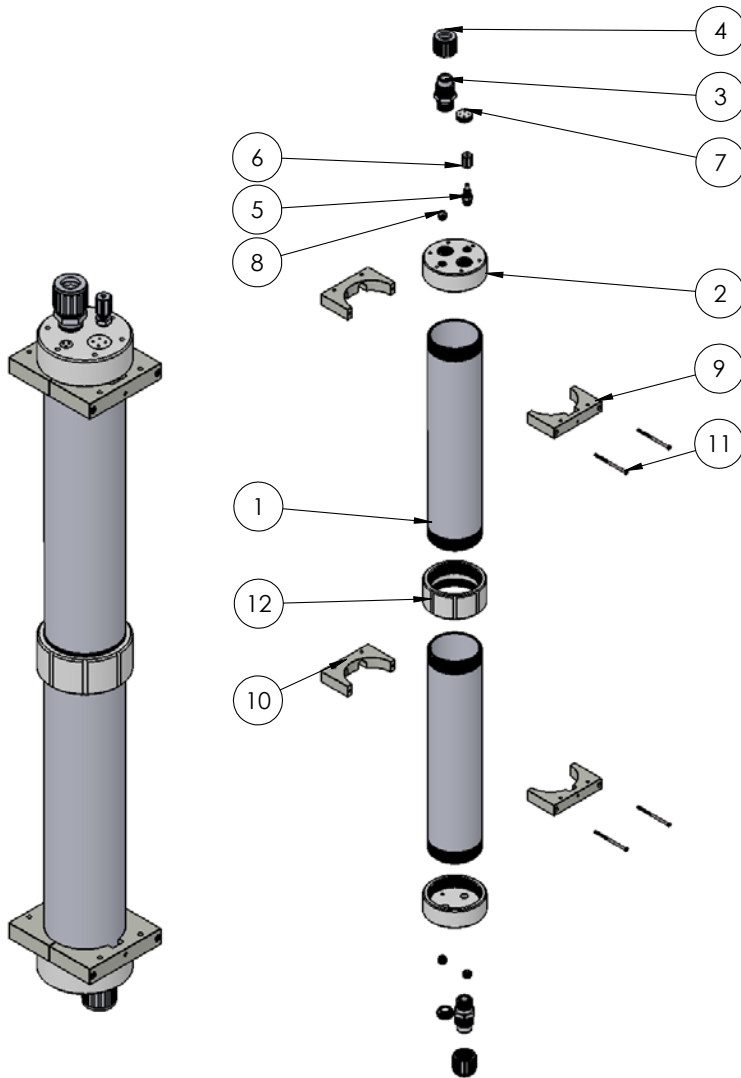


CPA-4A06L-F12-F04 Exploded View



CPA-4A06L-F12-F04			
ITEM NO.	PART NUMBER	DESCRIPTION	QTY.
1	1125-PF-0006	3 LITER BODY, CPA-4	2
2	2160-TE-0006	CAP, CPA-4	2
3	7200-PF-0007	1" FLARTEK-10GPM	2
4	7210-PF-0005	NUT, FLARETEK®, 1"	2
5	7200-PF-0012	1/4" FLARETEK LIQUID FITTING	1
6	7210-PF-0001	1/4" FLARETEK NUT	1
7	7130-TE-0002	FLUID PORT PLUG-10GPM, SHORT	2
8	7130-TE-0006	PLUG, FLUID PORT, 04 WK	3
9	1146-NP-0027	CLAMP, FRONT MOUNT, CPA-4	2
10	1146-NP-0028	CLAMP, REAR MOUNT, CPA-4	2
11	10010-SS-0034	SCREW, MOUNTING, 10-24 X 3.5 FH	4
12	2160-TE-0008	COUPLER, CPA-4	1

<https://wkfluidhandling.com/pressure-vessels/>