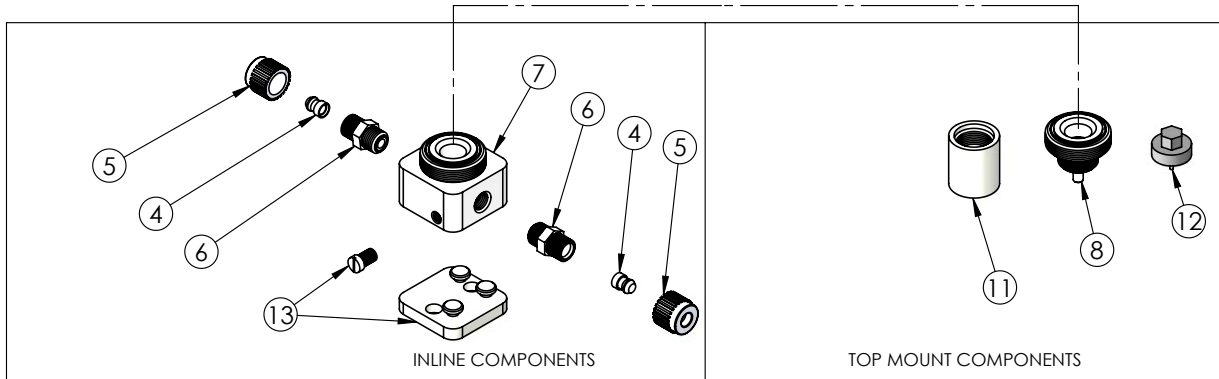
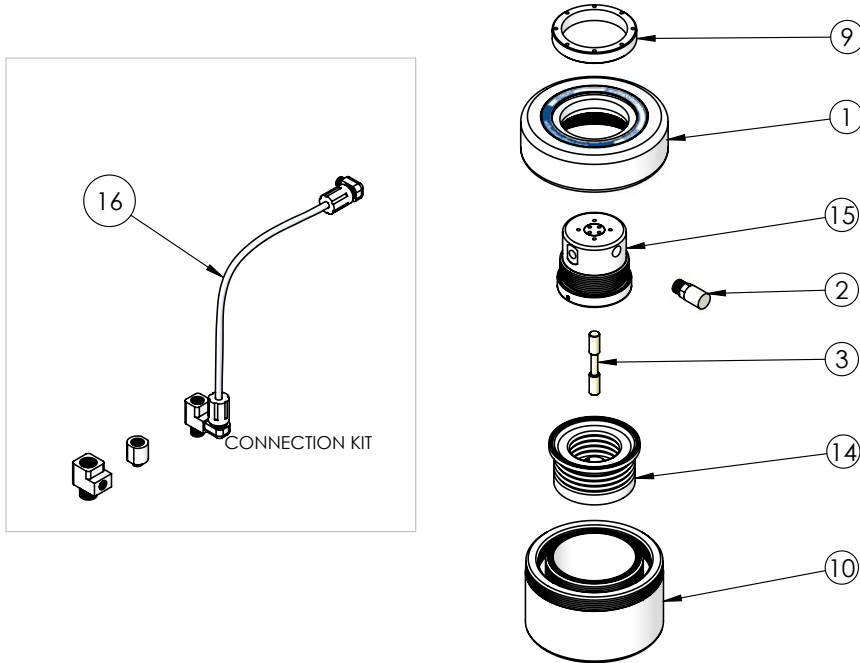


## DBU030 Exploded View



### DBU030 BILL OF MATERIALS

ITEM NO.	PART NUMBER	DESCRIPTION	QTY.
1	2127-TE-0071	HEAD DBU030	1
2	6110-PP-0004	MUFFLER	1
3	6560-CE-0005	SPOOL	1
4	7400-PF-0001	INSERT, S-300°, 1/2"	2
5	7400-PF-0005	NUT, S-300°, 1/2"	2
6	7400-TE-0001	BODY, S-300°, 1/2"	2
7	9100-TE-0008	BASE, INLINE, 030	1
8	9200-TE-0011	ADAPTER, TOP MOUNT, 030	1
9	9300-TE-0006	RING, RETAINING	1
10	9400-TE-0004	BODY, DAMPENER	1
11	9500-NP-0004	DUST COVER / TOOL	1
12	12100-PV-0041	ADAPTER, TORQUE WRENCH, DAMPENER	1
13	14200-NP-0009	BASEPLATE ASSEMBLY	1
14	14300-MP-0032	BELLOWS ASSEMBLY	1
15	14860-XX-0002	PD AIR MOTOR ASSEMBLY (H & U series)	1
16	14870-TE-0001	KIT, CONNECTION, PULSE DAMPENER	1

<https://wkfluidhandling.com/dbu-series/>