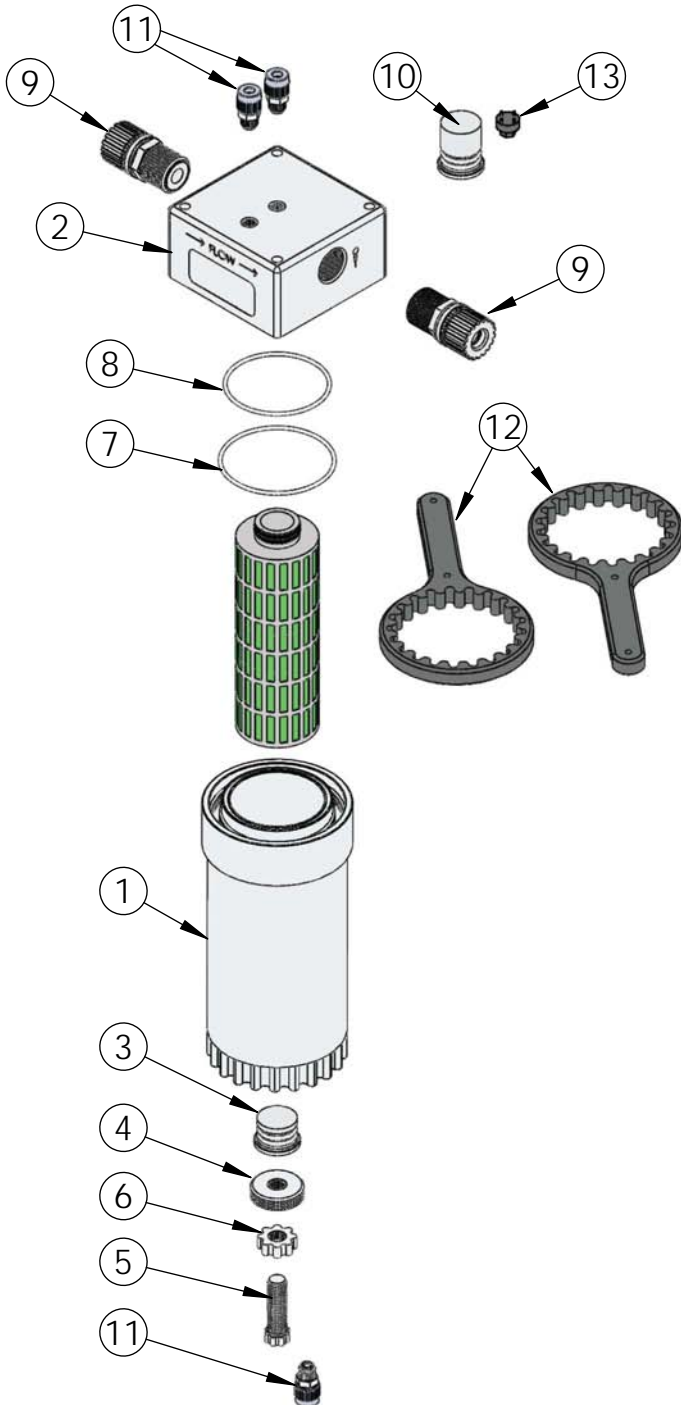


## FHU01 Exploded View



Item	Part Number	Description	Qty.
1	11100-TE-0008	Filter Housing Body	1
2	11100-TE-0009	Filter Housing Inverted Base	1
3	11100-MP-0001	Filter Housing Bellows Jack Screw-short	1
4	10040-TE-0001	Bellows Cap, Filter Housing	1
5	10010-TE-0012	Bellows Jack Screw	1
6	10010-TE-0011	Bellows Jack Screw Nut	1
7	10080-XX-244	-244 Fep Encapsulated O-ring	1
8	10080-XX-241	-241 Fep Encapsulated O-ring	1
9	14570-PF-0006	30 Gpm, 3/4 Prime Lock Fitting Assembly	2
10	11100-MP-0002	Filter Housing Bellows Jack Screw-long	1
11	14530-PF-0010	3/8"-04 Super Pillar 300 Fitting Assembly	3
12	12100-PV-0022	Filter Housing Spanner Wrench	2
13	12100-PV-0042	Top Check Plug Torque Wrench Adapter	1

Liquid Fittings			Assemblies	Body Inlet Only (Nut not included)
Flaretek Compatible	1/2 in.	F08	14510-PF-0011	7200-PF-0015
	3/4 in.	F12	14510-PF-0008	7200-PF-0009
	1 in.	F16	14510-PF-0009	7200-PF-0010
	1-1/4 in.	F20	14510-PF-0010	7200-PF-0011
Tube Out	3/4 in.	T12	7120-PF-0007	
	1 in.	T16	7120-PF-0008	
	1-1/4 in.	T20	7120-PF-0009	
	1-1/2 in.	T24	7120-PF-0010	
Weldable	3/4 in.	W12	7300-PF-0005	
	1 in.	W16	7300-PF-0006	
Pillar S-300	1/2 in.	P08	14530-PF-0011	7400-TE-0019
	3/4 in.	P12	14530-PF-0006	7400-TE-0006
	1 in.	P16	14530-PF-0007	7400-TE-0007
	1-1/4 in.	P20	14530-PF-0008	7400-TE-0008
	1-1/2 in.	P24	14530-PF-0026	7400-TE-0035
FNPT	3/4 in.	N12	7100-TE-0009	
	1 in.	N16	7100-TE-0005	
	1-1/4 in.	N20	7100-TE-0010	
Synchro-Flare	1/2 in.	S08	TBD	7010-TE-0008
	3/4 in.	S12	14520-TE-0008	7010-TE-0007
	1 in.	S16	14520-TE-0007	7010-TE-0009
PrimeLock	3/4 in.	L12	14570-PF-0006	7800-TE-0006
	1 in.	L16	14570-PF-0007	7800-TE-0007
	1-1/4 in.	L20	14570-PF-0008	7800-TE-0008
Plugged		B00	7130-TE-0005	7130-TE-0005

Drain/Vent Fittings			Assemblies	Body Inlet Only (Nut not included)
Flaretek Compatible	1/4 in.	F4	14510-PF-0012	7200-PF-0012
	3/8 in.	F6	14510-PF-0013	7200-PF-0013
Pillar S-300	1/8 in.	P2	14530-PF-0024	7400-TE-0013
	1/4 in.	P4	14530-PF-0016	14530-TE-0016
FNPT	3/8 in.	P6	14530-PF-0010	14530-TE-0010
	1/4 in.	N4	7100-TE-0011	
PrimeLock	3/8 in.	N6	7100-TE-0016	
	1/4 in.	L4	TBD	7800-TE-0009
Plugged	3/8 in.	L6	TBD	7800-TE-0010
		B0	7130-TE-0006	

<https://wkfluidhandling.com/filter-housings/>