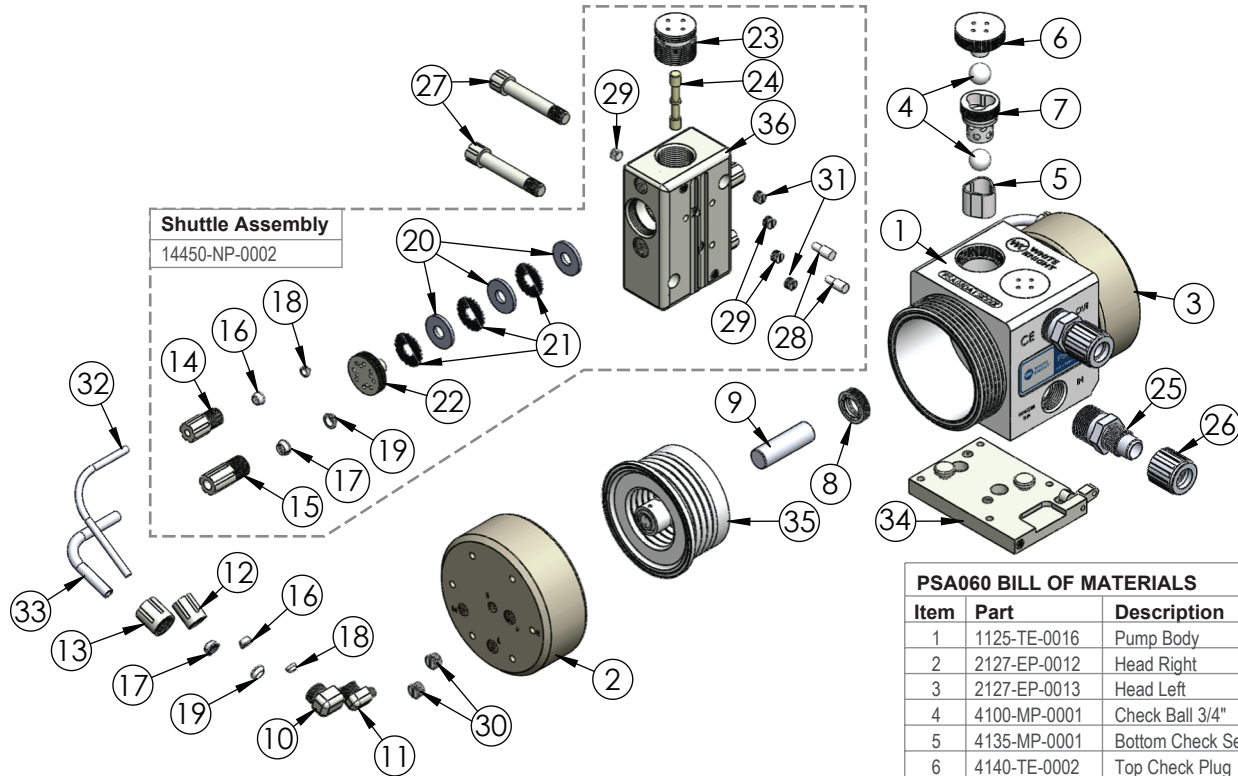




PSA060 Exploded View



Shuttle Assembly
14450-NP-0002

PSA060 BILL OF MATERIALS

Item	Part	Description	Qty
1	1125-TE-0016	Pump Body	1
2	2127-EP-0012	Head Right	1
3	2127-EP-0013	Head Left	1
4	4100-MP-0001	Check Ball 3/4"	4
5	4135-MP-0001	Bottom Check Seat High Flow	2
6	4140-TE-0002	Top Check Plug	2
7	4142-MP-0001	Top Check Cage High Flow	2
8	5143-MP-0012	Seal, Shaft	2
9	5144-PF-0023	Shaft, Solid, PFA	1
10	6020-NP-0001	1/4" NPT x 3/8" Gripper Elbow	2
11	6030-NP-0001	1/8" NPT x 1/4" Gripper Elbow	2
12	6070-NP-0001	1/4" Gripper Nut	2
13	6070-NP-0002	3/8" Female Gripper Nut	2
14	6070-NP-0004	1/4" Male Gripper Nut	2
15	6070-NP-0006	3/8" Male Gripper Nut	2
16	6080-KF-0001	1/4" Gripper	4
17	6080-KF-0002	3/8" Gripper	4
18	6080-TE-0001	1/4" Ferrule	4
19	6080-TE-0002	3/8" Ferrule	4
20	6140-FP-0004	Baffle Porous Poly	6
21	6140-PP-0002	Mesh, Shuttle	6
22	6150-NP-0005	Shift Muffler Cap	2
23	6530-TE-0002	Shuttle End Plug	2
24	6560-CE-0002	10 gpm Spool	1
25	7200-PF-0006	3/4" Flaretek® Body	2
26	7210-PF-0004	3/4" Flaretek Nut (PFA)	2
27	10010-NP-0006	Set Screw	2
28	10020-NP-0003	Shuttle Pin	2
29	10040-TE-0002	1/8" NPT Plug	3
30	10040-TE-0003	1/4" NPT Plug	4
31	10040-TE-0015	1/8" NPT Plug (.040 Orifice)	2
32	10071-PF-0008	1/4" Shift Air Line (Thick Wall)	2
33	10071-PF-0010	3/8" PFA Tubing	2
34	14200-NP-0005	Base Plate Assembly	1
35	14300-MP-0014	Bellows Assembly, Shift	2
36	14400-NP-0007	Shuttle Body & Sleeve	1

Leak Detect	
Part	Description
14600-XX-0009	LF0 15 ft fiber optic cable with no amplifier
14600-XX-0010	LF1 15 ft fiber optic cable with D10 amplifier
14600-XX-0011	LF2 25 ft fiber optic cable with no amplifier
14600-XX-0012	LF3 25 ft fiber optic cable with D10 amplifier
14600-XX-0031	LC0 15 ft conductivity cable
14600-XX-0040	LC1 25 ft conductivity cable

Stroke Detect with Fiber Optics	
Part	Description
14700-XX-0017	SF0 15 ft fiber optic cable with no amplifier
14700-XX-0018	SF1 15 ft fiber optic cable with D10 amplifier
14700-XX-0019	SF2 25 ft fiber optic cable with no amplifier
14700-XX-0020	SF3 25 ft fiber optic cable with D10 amplifier

Stroke Detect with Pressure Switch	
Part	Description
14900-NP-0004	SP1 Single NPN Switch
14900-NP-0003	SP2 Dual NPN Switches
14900-NP-0001	SP4 Single PNP Switch
14900-NP-0002	SP5 Dual PNP Switches

Fittings (Type, Size, Option)		Assemblies		Body Inlet Only (Nut not included)
Flaretek Compatible	1/2 in. F08	14510-PF-0004	7200-PF-0005	
	3/4 in. F12	14510-PF-0005	7200-PF-0006	
	1 in. F16	14510-PF-0006	7200-PF-0007	
	1-1/4 in. F20	14510-PF-0007	7200-PF-0008	
Tube Out	1/2 in. T08	7120-PF-0004		
	3/4 in. T12	7120-PF-0005		
	1 in. T16	7120-PF-0006		
	1-1/4 in. T20	7120-PF-0011		
Weldable	3/4 in. W12	7300-PF-0003		
	1 in. W16	7300-PF-0004		
Pillar S-300	3/8 in. P06	14530-PF-0028	7400-TE-0036	
	1/2 in. P08	14530-PF-0003	7400-TE-0003	
	3/4 in. P12	14530-PF-0004	7400-TE-0004	
	1 in. P16	14530-PF-0005	7400-TE-0005	
FNPT	1-1/4 in. P20	14530-PF-0009	7400-TE-0012	
	1/2 in. N08	7100-TE-0006		
	3/4 in. N12	7100-TE-0004		
Synchro-Flare	1 in. N16	7100-TE-0008		
	1/2 in. S08	14520-TE-0003	7010-TE-0005	
	3/4 in. S12	14520-TE-0004	7010-TE-0004	
PrimeLock	1 in. S16	14520-TE-0006	7010-TE-0006	
	1/2 in. L08	14570-PF-0003	7800-TE-0003	
	3/4 in. L12	14570-PF-0004	7800-TE-0004	
	1 in. L16	14570-PF-0005	7800-TE-0005	
Plugged	1-1/4 in. L20	14570-PF-0012	7800-TE-0012	
	B00	7130-TE-0003		

<https://wkfluidhandling.com/psa-series/>

