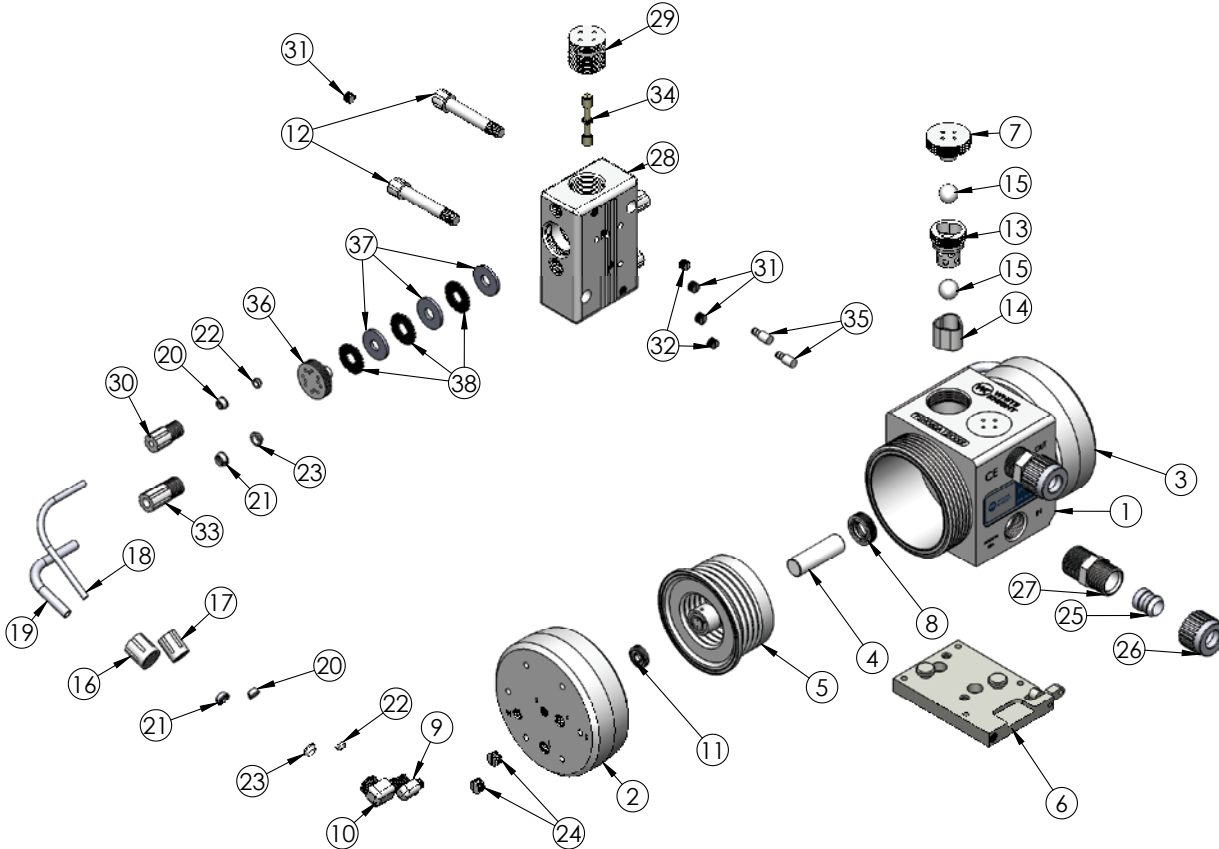


## PSH060 Exploded View



### PSH060 BILL OF MATERIALS

ITEM NO.	PART NUMBER	DESCRIPTION	QTY.
1	1125-TE-0016	PUMP BODY A & H 60L	1
2	2127-TE-0011	HEAD RIGHT PSH060	1
3	2127-TE-0012	HEAD LEFT PSH060	1
4	5144-PF-0023	SHAFT	1
5	14300-MP-0014	BELLOWS, ASSEMBLY	2
6	14200-NP-0005	60L BASE PLATE ASSEMBLY	1
7	4140-TE-0002	TOP CHECK PLUG-10GPM	2
8	5143-MP-0002	SEAL, SHAFT, A&H, 60L	2
9	6030-TE-0001	1/8" NPT X 3/8" GRIPPER ELBOW	2
10	6020-TE-0004	1/4" NPT x 3/8" GRIPPER ELBOW	2
11	3133-TE-0006	REPLACEABLE SEAT, SHIFT, UNIVERSAL	2
12	10010-TE-0016	SET SCREW, 60L & 140L	2
13	4142-MP-0001	TOP CHECK CAGE-10GPM HIGH FLOW	2
14	4135-MP-0001	BOTTOM CHECK SEAT- 10GPM HIGH FLOW	2
15	4100-MP-0001	CHECK BALL- 3/4"	4
16	6070-TE-0002	3/8" FEMALE GRIPPER NUT	2
17	6070-TE-0001	1/4" GRIPPER AIR NUT	2
18	10070-PF-0001	1/4" Shift Air Line ( Thick wall)	1.33 FT
19	10070-PF-0003	3/8" PFA Tubing	1.33 FT
20	6080-KF-0001	1/4" GRIPPER	4
21	6080-KF-0002	3/8" GRIPPER	4
22	6080-TE-0001	1/4" FERRULE	4
23	6080-TE-0002	3/8" FERRULE	4
24	10040-TE-0003	NPT PLUG- 1/4"	4
25	7400-PF-0002	INSERT, PILLAR 300, 3/4"	2
26	7400-PF-0006	NUT, PILLAR 300, 3/4"	2
27	7400-TE-0004	3/4 PILLAR SUPER 300-10GPM	2
28	14400-TE-0010	BODY, SHUTTLE, WITH SLEEVE	1
29	6530-TE-0002	SHUTTLE END PLUG	2
30	6070-TE-0004	MALE GRIPPER NUT, 1/4"	2
31	10040-TE-0002	PLUG, NPT, 1/8"	3
32	10040-TE-0015	PLUG, VENT, NPT, 1/8"	2
33	6070-TE-0005	NUT, GRIPPER, MALE, 3/8"	2
34	6560-CE-0002	SHUTTLE SPOOL	1
35	10020-TE-0004	PIN, ALIGNMENT, SHUTTLE	2
36	6150-TE-0011	CAP, MUFFLER	2
37	6140-FP-0004	BAFFLE	6
38	6140-PP-0002	SPACER, BAFFLE	6
39	19100-PP-0005	PUMP PATENT STICKER	1
40	19100-PP-0021	LABEL, PRODUCT, PSH060	1

<https://wkfluidhandling.com/psh-series/>