

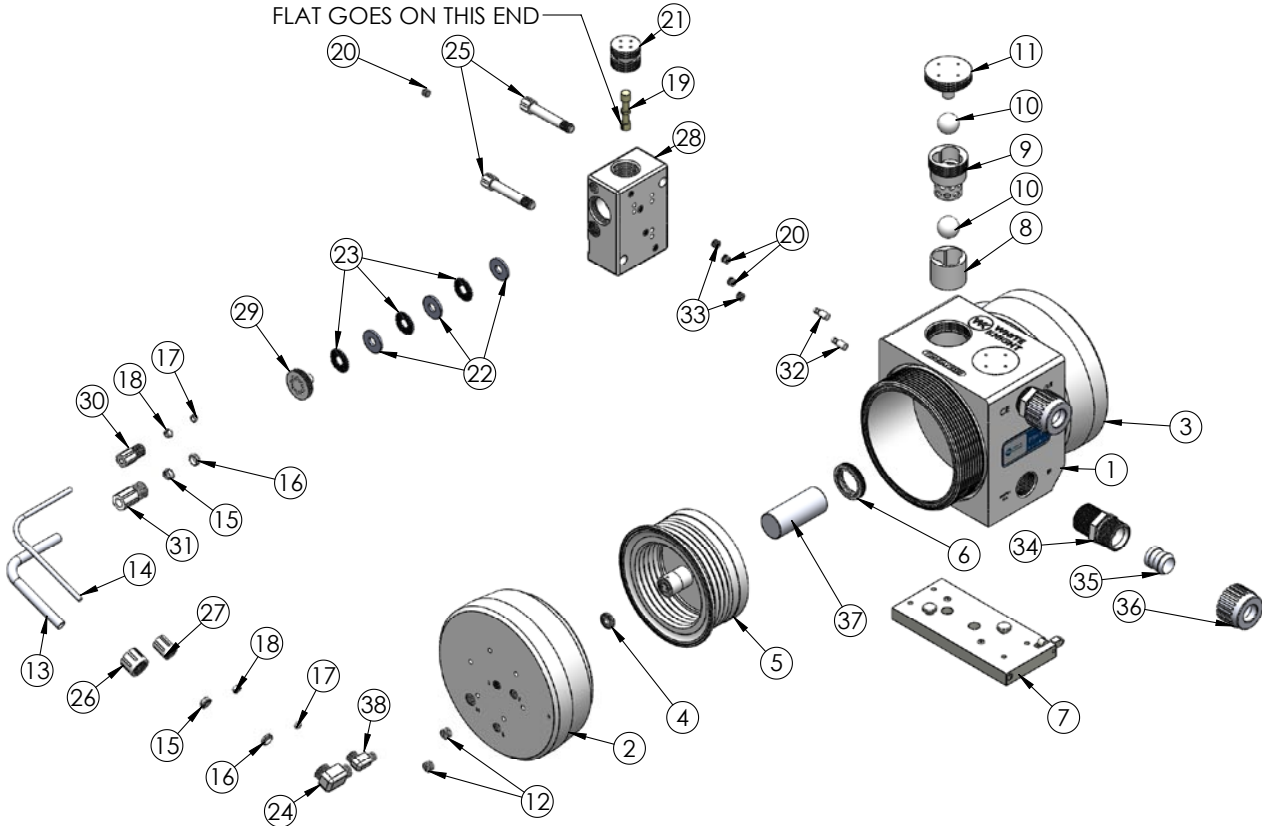


WHITE KNIGHT®

.....engineer approved™

EXPLODED VIEW

PSH140 Exploded View



PSH140 BILL OF MATERIALS				
ITEM NO.	PART NUMBER	DESCRIPTION	QTY.	
1	1125-TE-0018	BODY, PUMP	1	
2	2127-TE-0013	HEAD RIGHT 140 H	1	
3	2127-TE-0014	HEAD LEFT 140 H	1	
4	3133-TE-0006	SEAT, HEAD, SHIFT	2	
5	14300-MP-0028	BELLOWS, ASSEMBLY	2	
6	5143-MP-0003	SEAL, SHAFT	2	
7	14200-NP-0007	PLATE, BASE, ASSEMBLY	1	
8	4135-MP-0004	SEAT, CHECK, BOTTOM, HI-FLOW	2	
9	4142-MP-0003	CAGE, CHECK, TOP, HI-FLOW	2	
10	4100-MP-0003	BALL, CHECK, 1-1/8"	4	
11	4140-TE-0004	CHECK PLUG	2	
12	10040-TE-0003	PLUG, NPT, 1/4"	4	
13	10070-PF-0004	TUBING, 1/2"	2 FT	
14	10070-PF-0001	TUBING, THICK WALL, 1/4"	2 FT	
15	6080-KF-0003	GRIPPER, 1/2"	4	
16	6080-TE-0003	FERRULE, 1/2"	4	
17	6080-TE-0001	FERRULE, 1/4"	4	
18	6080-KF-0001	GRIPPER, 1/4"	4	
19	6560-CE-0003	SHUTTLE SPOOL	1	
20	10040-TE-0002	PLUG, NPT, 1/8"	3	
21	6530-TE-0003	SHUTTLE END CAP	2	
22	6140-FP-0004	BAFFLE	6	
23	6140-PP-0002	SPACER, BAFFLE	6	
24	6020-TE-0005	ELBOW GRIPPER 3/8 NPT x 1/2"	2	
25	10010-TE-0016	SCREW, MOUNT, SHUTTLE	2	
26	6070-TE-0003	NUT FEMALE GRIPPER 1/2" U	2	
27	6070-TE-0001	FEMALE GRIPPER NUT, 1/4"	2	
28	14400-TE-0011	BODY, SHUTTLE WITH SLEEVE	1	
29	6150-TE-0017	CAP, MUFFLER	2	
30	6070-TE-0004	MALE GRIPPER NUT, 1/4"	2	
31	6070-TE-0006	1/2" MALE GRIPPER NUT	2	
32	10020-TE-0004	PIN, ALIGNMENT, SHUTTLE	2	
33	10040-TE-0015	PLUG, VENT, NPT, 1/8"	2	
34	7400-TE-0007	FITTING S-300° BODY 1" 140	2	
35	7400-PF-0003	INSERT S-300° 1"	2	
36	7400-PF-0007	NUT S-300° 1"	2	
37	5144-PF-0022	SHAFT	1	
38	6030-TE-0005	ELBOW, GRIPPER, 1/4" NPT X 1/4" WITH BLEED HOLE	2	

<https://wkfluidhandling.com/ps-series/>

