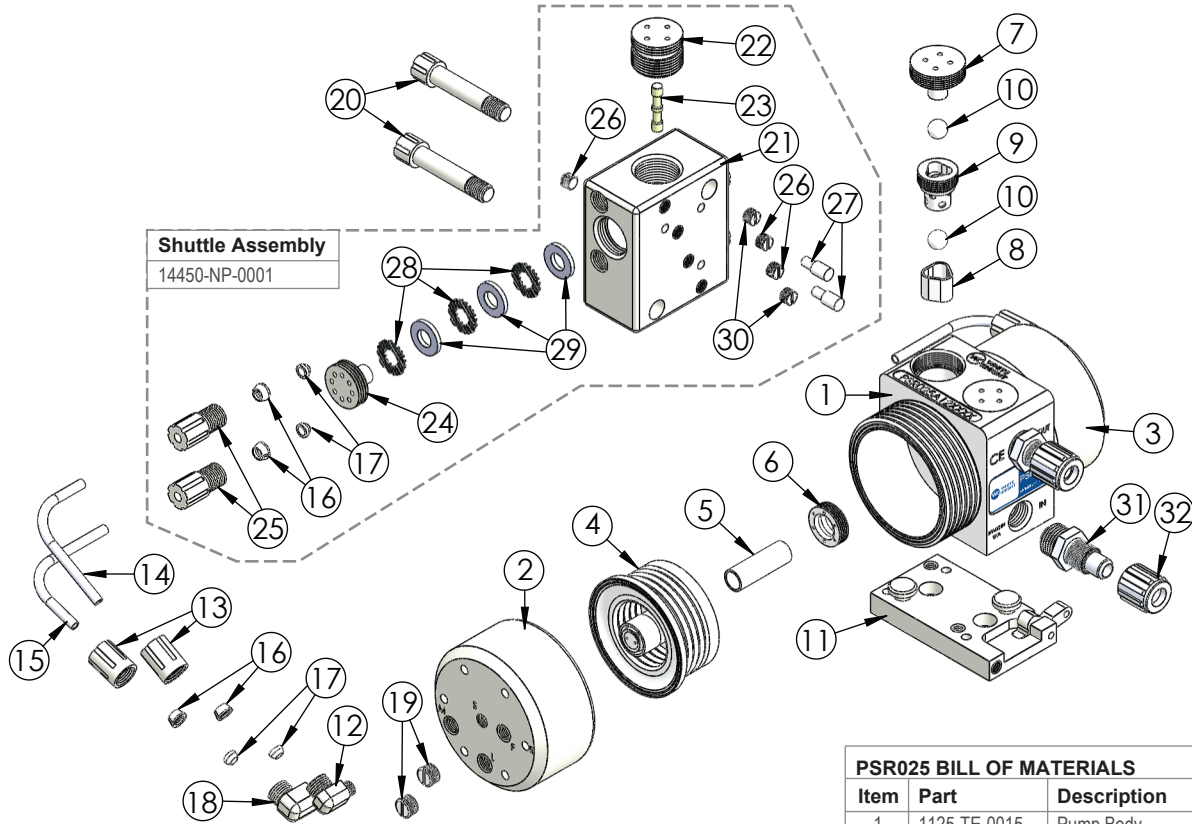


## PSR025 Exploded View



Leak Detect	
Part	Description
14600-XX-0009	LF0 15 ft fiber optic cable with no amplifier
14600-XX-0010	LF1 15 ft fiber optic cable with D10 amplifier
14600-XX-0011	LF2 25 ft fiber optic cable with no amplifier
14600-XX-0012	LF3 25 ft fiber optic cable with D10 amplifier
14600-XX-0031	LC0 15 ft conductivity cable
14600-XX-0040	LC1 25 ft conductivity cable

Stroke Detect with Fiber Optics	
Part	Description
14700-XX-0017	SF0 15 ft fiber optic cable with no amplifier
14700-XX-0018	SF1 15 ft fiber optic cable with D10 amplifier
14700-XX-0019	SF2 25 ft fiber optic cable with no amplifier
14700-XX-0020	SF3 25 ft fiber optic cable with D10 amplifier

Stroke Detect with Pressure Switch	
Part	Description
14900-NP-0004	SP1 Single NPN Switch
14900-NP-0003	SP2 Dual NPN Switches
14900-NP-0001	SP4 Single PNP Switch
14900-NP-0002	SP5 Dual PNP Switches

Fittings (Type, Size, Option)		Assemblies		Body Inlet Only (Nut not included)
Flaretek Compatible	1/4 in. F04	14510-PF-0016	7200-PF-0001	
	3/8 in. F06	14510-PF-0001	7200-PF-0002	
	1/2 in. F08	14510-PF-0002	7200-PF-0003	
	3/4 in. F12	14510-PF-0003	7200-PF-0004	
Tube Out	3/8 in. T06	7120-PF-0001		
	1/2 in. T08	7120-PF-0002		
	3/4 in. T12	7120-PF-0003		
Weldable	1/2 in. W08	7300-PF-0001		
	3/4 in. W12	7300-PF-0002		
Pillar S-300	1/4 in. P04	14530-PF-0025	7400-TE-0031	
	3/8 in. P06	14530-PF-0012	7400-TE-0023	
	1/2 in. P08	14530-PF-0001	7400-TE-0001	
	3/4 in. P12	14530-PF-0002	7400-TE-0002	
FNPT	1/4 in. N04	7100-TE-0001		
	3/8 in. N06	7100-TE-0002		
	1/2 in. N08	7100-TE-0003		
	3/4 in. N12	7100-TE-0007		
Synchro-Flare	3/8 in. S06	14520-TE-0009	7010-TE-0001	
	1/2 in. S08	14520-TE-0001	7010-TE-0003	
	3/4 in. S12	14520-TE-0002	7010-TE-0002	
PrimeLock	1/4 in. L04	14570-PF-0013	7800-TE-0013	
	3/8 in. L06	14570-PF-0014	7800-TE-0014	
	1/2 in. L08	14570-PF-0001	7800-TE-0001	
	3/4 in. L12	14570-PF-0002	7800-TE-0002	
Plugged	B00	7130-TE-0001		

PSR025 BILL OF MATERIALS			
Item	Part	Description	Qty
1	1125-TE-0015	Pump Body	1
2	2127-NP-0006	Head, Right	1
3	2127-NP-0007	Head, Left	1
4	14300-MP-0015	Bellows, Assembly	2
5	5144-PF-0001	Shaft	1
6	5143-TE-0001	Shaft Seal	2
7	4140-TE-0001	Top Check Plug	2
8	4135-MP-0006	Seat, Check	2
9	4142-MP-0004	Cage, Check	2
10	4100-MP-0004	Ball, Check, 1/2"	4
11	14200-NP-0006	Plate, Base, Assembly	1
12	6030-NP-0001	1/8" NPT x 1/4" Elbow	2
13	6070-NP-0001	Nut, Gripper, Female, 1/4"	4
14	10071-PF-0008	Tubing, Thick Wall, 1/4"	2
15	10071-PF-0009	Tubing, 1/4"	2
16	6080-KF-0001	Gripper, 1/4"	8
17	6080-TE-0001	Ferrule, 1/4"	8
18	6030-NP-0002	Elbow, Gripper, 1/4" NPT x 1/4"	2
19	10040-TE-0003	NPT Plug, 1/4"	4
20	10010-NP-0007	Screw, Mount, Shuttle	2
21	14400-NP-0006	Body, Shuttle With Sleeve	1
22	6530-TE-0001	Shuttle End Cap	2
23	6560-CE-0001	Shuttle Spool	1
24	6150-NP-0004	Cap, Muffler	2
25	6070-NP-0004	Nut, Gripper, Male, 1/4"	4
26	10040-TE-0002	Plug, NPT, 1/8"	3
27	10020-NP-0003	Pin, Alignment, Shuttle	2
28	6140-FP-0003	Baffle	6
29	6140-PP-0003	Spacer, Baffle	6
30	10040-TE-0015	Plug, Vent, NPT, 1/8"	2
31	7200-PF-0003	Body, Flaretek®, 1/2"	2
32	7210-PF-0003	Nut, Flaretek®, 1/2"	2

<https://wkfluidhandling.com/psr-series/>