



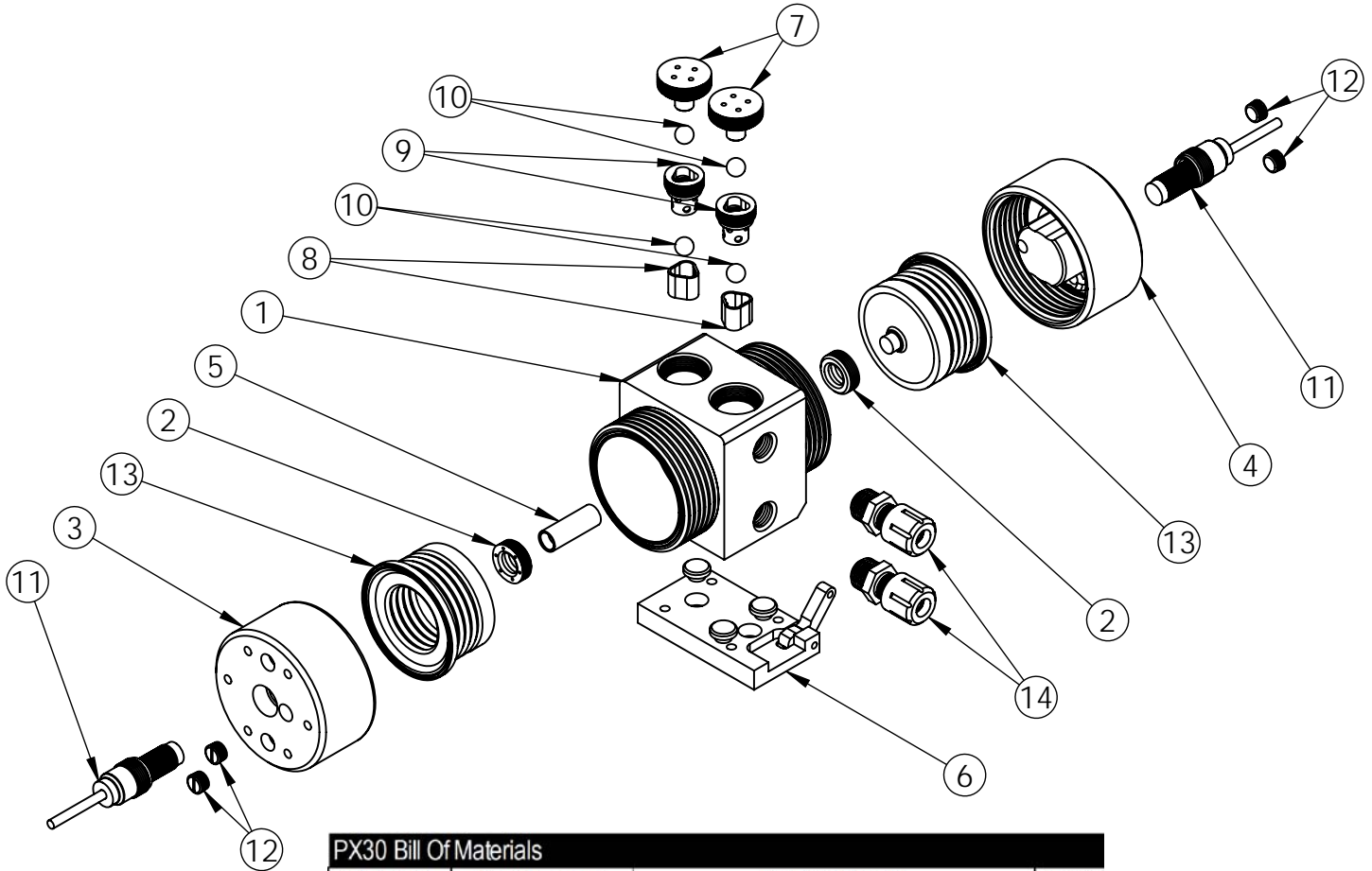
WHITE KNIGHT®

.....engineer approved™

PUMP EXPLODED VIEW

PX30 Exploded View

PX30 pumps are discontinued legacy models. We recommend users consider PXA030 pumps, which provide better performance, increased flow rates, higher pressure capabilities, improved reliability, extended pump life and warranty periods, as well as shorter lead times. Details: <https://wkfluidhandling.com/pxa-series/>
Discontinued 31 Dec 2015. Supported to 31 Dec 2020.



PX30 Bill Of Materials			
ITEM NO.	Part Number	DESCRIPTION	QTY.
1	1125-TE-0013	Body	1
2	5143-TE-0001	Shaft Seal	2
3	2127-EP-0007	Right Head	1
4	2127-EP-0030	Left Head	1
5	5144-PF-0010	Shaft	1
6	14200-NP-0001	Base Plate Assembly	1
7	4140-TE-0001	Top Check Plug	2
8	4135-TE-0001	Bottom Check Seat	2
9	4142-TE-0002	Top Check Seat	2
10	4100-TE-0001	Check Ball	4
11	14700-XX-0001	Proximity Assembly	2
12	10040-TE-0003	NPT Plug - 1/4"	4
13	14300-MP-0011	Bellows Assembly	2
14	14510-TE-0002	Flaretek® Compatible Assembly	2

<https://wkfluidhandling.com/px-series/>

