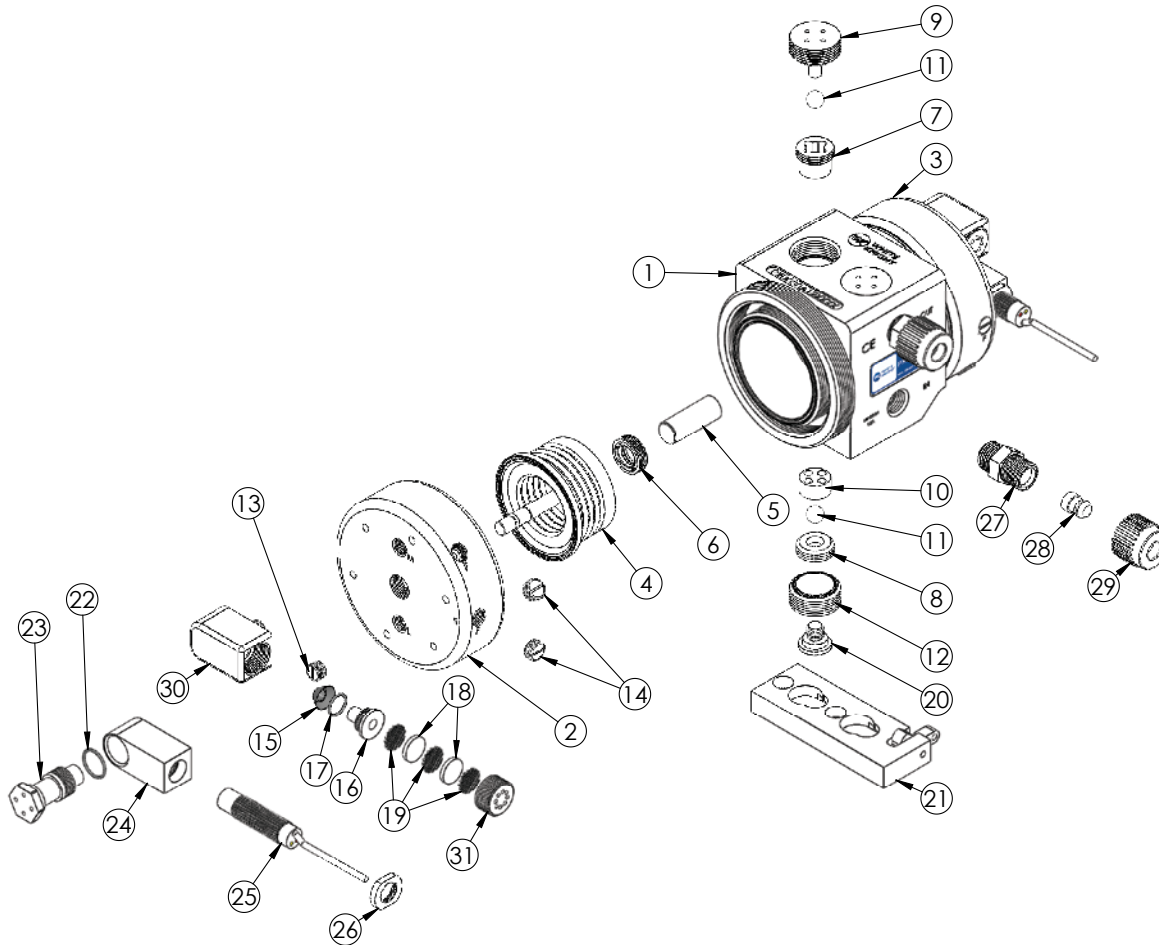


## PXU030 Exploded View



### PXU030 BILL OF MATERIALS

ITEM NO.	PART NUMBER	DESCRIPTION	QTY.
1	1125-TE-0020	BODY, PUMP	1
2	2127-TE-0015	HEAD, RIGHT, PXU030	1
3	2127-TE-0016	HEAD, LEFT, PXU030	1
4	14300-MP-0021	BELLOWS ASSEMBLY, 30L, U, PROXIMITY	2
5	14320-PF-0001	SHAFT	1
6	5143-MP-0001	SEAL, SHAFT	2
7	4142-MP-0005	SEAT, CHECK	2
8	4135-MP-0007	SEAT, CHECK	2
9	4140-TE-0005	PLUG, CHECK	2
10	4137-TE-0001	CAGE, CHECK	2
11	4100-MP-0004	BALL, CHECK, 1/2"	4
12	4139-TE-0004	PLUG, CHECK	2
13	10040-TE-0003	PLUG, NPT, 1/4"	2
14	10040-TE-0006	PLUG, 5/8", 300"	4
15	3200-VI-0001	DIAPHRAGM, Ø.782	2
16	6150-UH-0001	SEAT, QEV EXHAUST, 30L & 60L	2
17	10080-VI-016-75	O-RING, 016 X 070	2
18	6140-FP-0002	BAFFLE POROUS POLY 30/60 L QEV	4
19	6140-PP-0004	MESH, QEV 04 & 05	6
20	10010-TE-0018	SCREW, MOUNT, PLATE, BASE	1
21	14200-TE-0002	PLATE, BASE, ASSEMBLY	1
22	10080-VI-019-75	O-RING, 019 X 070	2
23	8200-TE-0001	ADAPTER, CAP, PROXIMITY	2
24	8110-TE-0006	HOUSING, SENSOR	2
25	8600-XX-0008	SENSOR, PROXIMITY	2
26	10010-TE-0019	NUT, JAM	2
27	7400-TE-0001	BODY, S-300°, 1/2"	2
28	7400-PF-0001	INSERT, S-300°, 1/2"	2
29	7400-PF-0005	NUT, S-300°, 1/2"	2
30	6090-UH-0003	BODY, QEV, 05	2
31	6150-NP-0007	CAP, MUFFLER, QEV 30L & 60L	2

<https://wkfluidhandling.com/pxu-series/>