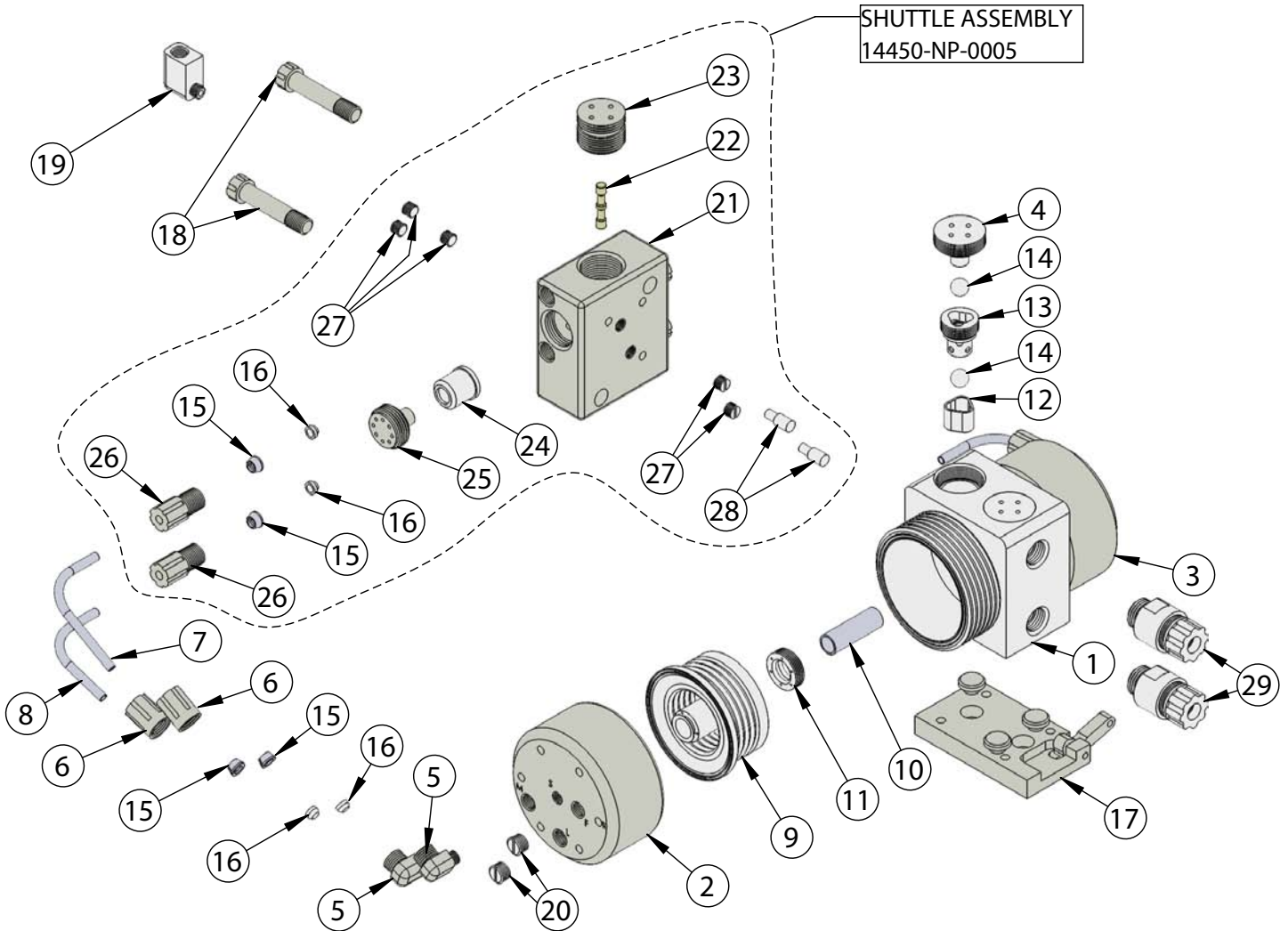


X50 Exploded View

X50 pumps are legacy models. We recommend users consider PSA030 pumps, which provide better performance, increased flow rates, higher pressure capabilities, improved reliability, extended pump life and warranty periods, as well as shorter lead times. Details: <https://wkfluidhandling.com/psa-series/>



| ITEM | PART NUMBER | DESCRIPTION | QTY |
|------|---------------|-------------------------------|-----|
| 1 | 1125-TE-0010 | BODY- 5GPM X-SERIES | 1 |
| 2 | 2127-NP-0006 | HEAD RIGHT PSR025 | 1 |
| 3 | 2127-NP-0007 | HEAD LEFT PSR025 | 1 |
| 4 | 4140-TE-0001 | TOP CHECK PLUG-5GPM | 2 |
| 5 | 6030-NP-0001 | 1/8" NPT X 1/4" GRIPPER ELBOW | 4 |
| 6 | 6070-NP-0001 | NUT, GRIPPER, 1/4" | 4 |
| 7 | 10071-PF-0008 | THICK-WALL TUBING, 1/4" | 2 |
| 8 | 10071-PF-0009 | THIN-WALL TUBING, 1/4" | 2 |
| 9 | 14300-MP-0001 | BELLOWS ASSEMBLY | 2 |
| 10 | 5144-PF-0001 | SHAFT - 5GPM | 1 |
| 11 | 5143-TE-0001 | SHAFT SEAL-5GPM | 2 |
| 12 | 4135-TE-0001 | BOTTOM CHECK SEAT-5GPM | 2 |
| 13 | 4142-TE-0002 | TOP CHECK SEAT-5GPM REGULAR | 2 |
| 14 | 4100-TE-0001 | CHECK BALL- 1/2" | 4 |
| 15 | 6080-KF-0001 | 1/4" GRIPPER | 8 |

| ITEM | PART NUMBER | DESCRIPTION | QTY |
|------|---------------|---|-----|
| 16 | 6080-TE-0001 | 1/4" FERRULE | 8 |
| 17 | 14200-NP-0001 | BASE PLATE 30L | 1 |
| 18 | 10010-NP-0003 | SHUTTLE SET SCREW | 2 |
| 19 | 6010-TE-0002 | 1/8" NPT X 1/4" NPT ELBOW | 1 |
| 20 | 10040-TE-0003 | NPT PLUG - 1/4" | 4 |
| 21 | 14400-NP-0001 | SHUTTLE BODY AND SLEEVE | 1 |
| 22 | 6560-CE-0001 | CERAMIC SPOOL- 5 GPM | 1 |
| 23 | 6530-NP-0001 | SHUTTLE END CAP- 5GPM | 2 |
| 24 | 6140-TE-0001 | WHISPER MUFFLER INSERT-5GPM | 2 |
| 25 | 6150-NP-0001 | WHISPER MUFFELER CAP-5GPM | 2 |
| 26 | 6070-NP-0004 | 1/4" MALE GRIPPER NUT | 4 |
| 27 | 10040-TE-0002 | 1/8" NPT PLUG | 5 |
| 28 | 10020-NP-0003 | SHUTTLE PIN | 2 |
| 29 | 14520-TE-0001 | 5 GPM 1/2" SYNCHRO FLARE FITTING ASSEMBLY | 2 |

<https://wkfluidhandling.com/x-series/>