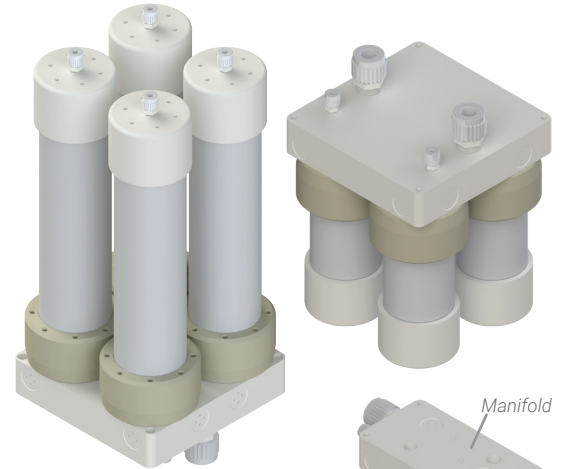
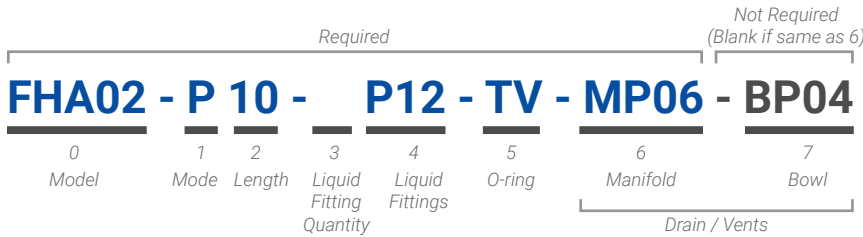


Configuration



Instructions

All options are required. Contact support for revision or copy exact information.

Standard options are highlighted

0. Model	
Two-Chamber	FHA02
Four-Chamber	FHA04

1. Mode	
Parallel Operation	P
Series Operation	S

See diagrams at bottom of page.

2. Length	
10-in Chamber	10
20-in Chamber	20

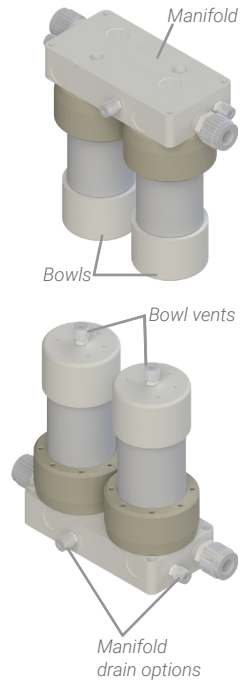
3. Liquid Fitting Quantity	
Two Fittings	blank
Three Fittings	3
Four Fittings	4
Five Fittings	5
Six Fittings	6

4. Liquid Fittings		
Flaretek Compatible	1/2 in.	F08
	3/4 in.	F12
	1 in.	F16
	1-1/4 in.	F20
Pillar S-300	1/2 in.	P08
	3/4 in.	P12
	1 in.	P16
	1-1/4 in.	P20
Primelock	1-1/2 in.	P24
	3/4 in.	L12
	1 in.	L16
Tube Adapter	1-1/4 in.	L20
	3/4 in.	T12
	1 in.	T16
	1-1/4 in.	T20
FNPT	1-1/2 in.	T24
	3/4 in.	N12
	1 in.	N16
Weldable	1-1/4 in.	N20
	3/4 in.	W12
Synchro-Flare	1 in.	W16
	1/2 in.	S08
	3/4 in.	S12
	1 in.	S16

5. O-ring Type	
FEP Encapsulated Viton	TV

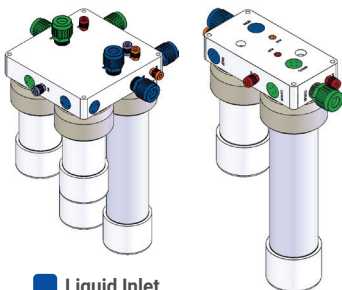
Drain / Vents	6. Manifold	7. Bowl
Flaretek Compatible	1/4 in.	MF04
	3/8 in.	MF06
Pillar S-300	1/8 in.	MP02
	1/4 in.	MP04
	3/8 in.	MP06
Primelock	1/4 in.	ML04
	3/8 in.	ML06
FNPT	1/4 in.	MN04
	3/8 in.	MN06
Same as Manifold Drain/Vent		blank

Two manifold drain/vent fittings are supplied with parallel housings. Three are supplied with series (in-line) housings. All housings get 1 bowl drain/vent fitting per chamber.



Revision	
No revision	blank
Contact White Knight support for revision level or copy exact code activation details. Configurations are not Copy Exact Part Numbers. Email: support@wkfluidhandling.com Phone: 435.783.6040	

Fitting Options Diagrams



- Liquid Inlet
- Liquid Outlet
- Pre-Filter Drain/Vent
- Post Filter Drain/Vent
- Intermediate Drain/Vent

Intermediate drain/vent only for series operation.

Liquid fittings are not attached to filter housing body when shipped.

Operation Diagrams

