










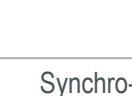




Select Required Options.  
Only add desired Additional Options.  
Only add Outlet if different than Inlet.  
Contact support for revision level or  
copy exact code activation details.

Standard Configuration	<b>Required Options</b>	<b>Additional Options</b>	<b>Rev.</b>
	<b>PSH030 - F08</b> <i>Model Inlet</i>	<b>LF0 - SF0 - TF08</b> <i>Leak Stroke Outlet</i>	<b>Rev.</b>

Pump Model		
Standard	PSH030	
Dry-Run	PSHSD030	
Inlet Fitting Front Straight Only		
 Flaretek Compatible	1/4 in.	F04
	3/8 in.	F06
	1/2 in.	F08
	3/4 in.	F12
 Tube Out	3/8 in.	T06
	1/2 in.	T08
	3/4 in.	T12
 Weldable	1/2 in.	W08
	3/4 in.	W12
 Pillar S-300	1/2 in.	P08
	3/4 in.	P12
 FNPT	1/4 in.	N04
	3/8 in.	N06
	1/2 in.	N08
	3/4 in.	N12
 Synchro- Flare	3/8 in.	S06
	1/2 in.	S08
	3/4 in.	S12
 PrimeLock	1/2 in.	L08
	3/4 in.	L12

Leak Detection	
15 ft fiber optic cable with no amplifier	LF0
15 ft fiber optic cable with D10 amplifier	LF1
25 ft fiber optic cable with no amplifier	LF2
25 ft fiber optic cable with D10 amplifier	LF3
15 ft conductivity cable	LC0
Stroke Detection	
15 ft fiber optic cable with no amplifier	SF0
15 ft fiber optic cable with D10 amplifier	SF1
25 ft fiber optic cable with no amplifier	SF2
25 ft fiber optic cable with D10 amplifier	SF3
Single NPN Pressure Switch	SP1
Dual NPN Pressure Switches (includes two DP2)*	SP2
Dual Pressure Switch (No pressure switches included)*	SP3
Single PNP Pressure Switch	SP4
Dual PNP Pressure Switches (includes two DP2)*	SP5

Outlet Style		
Front Straight (default)	F	
Top Straight	T	
Outlet Fitting		
 Flaretek Compatible	1/4 in.	F04
	3/8 in.	F06
	1/2 in.	F08
	3/4 in.	F12
 Tube Out	3/8 in.	T06
	1/2 in.	T08
	3/4 in.	T12
 Weldable	1/2 in.	W08
	3/4 in.	W12
 Pillar S-300	1/2 in.	P08
	3/4 in.	P12
 FNPT	1/4 in.	N04
	3/8 in.	N06
	1/2 in.	N08
	3/4 in.	N12
 Synchro- Flare	3/8 in.	S06
	1/2 in.	S08
	3/4 in.	S12
 PrimeLock	1/2 in.	L08
	3/4 in.	L12

\* White Knight shuttle valve not included.



Timer mode operation requires end-of-stroke detection. Use of timer mode without stroke detection voids the warranty.

