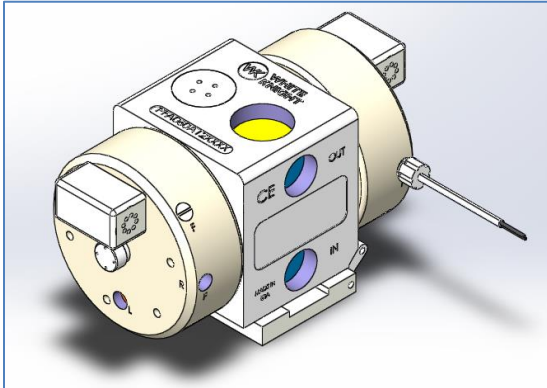


# Solid Model Instructions – Fiber Optic Pumps

The STEP or IGS zip folder contains a solid model STEP or IGS file for your pump and another folder titled configuration-options.



The configurations options folder contains the leak detection, liquid, and stroke detection fittings available for the pump. Mate surfaces of parts and ports are color coded.

Liquid inlet and outlet fittings are available in many types and sizes. You may configure your pump with different inlet and outlet sizes or types. White Knight recommends your outlet fitting be smaller than your inlet fitting. Sizes are referenced in file names as 16<sup>ths</sup> of inches (i.e. 04 = 1/4", 08 = 1/2", 16 = 1", etc.)

Name
<input type="checkbox"/> 08-flaretek-compatible.STEP
<input type="checkbox"/> 12-flaretek-compatible.STEP
<input type="checkbox"/> 16-flaretek-compatible.STEP
<input type="checkbox"/> 20-flaretek-compatible.STEP

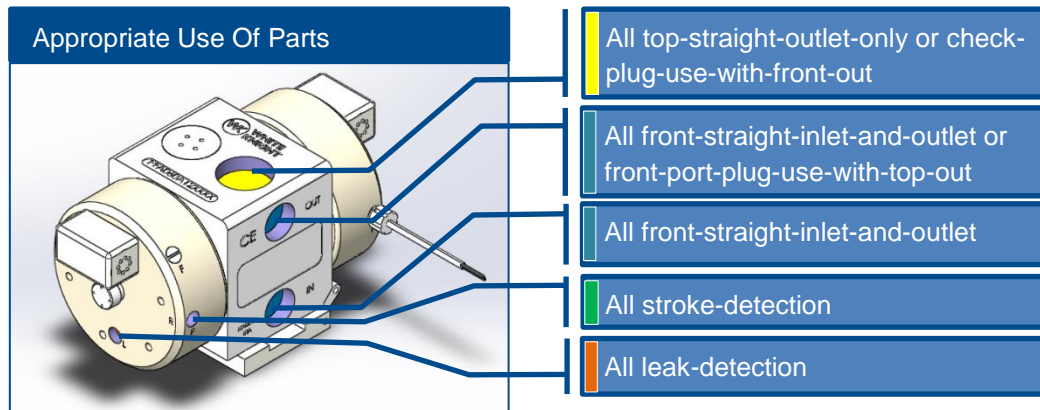
Name	Type
pfa060-step	File folder

Name	Type
configuration-options	File folder
<input type="checkbox"/> pfa060-solid-model.STEP	STEP File

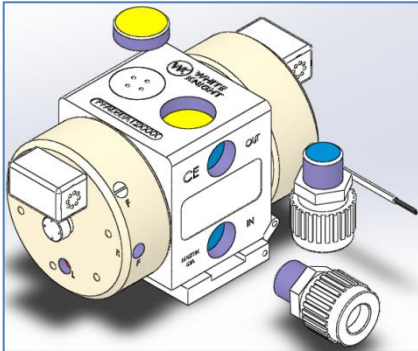
The pump solid model file is the basic model of the pump with minimal attachments and no liquid fittings. Use the configurations-options folder to configure the base model pump to your specific system requirements.

Name	Type
leak-detection	File folder
liquid-fittings	File folder
stroke-detection	File folder
<input type="checkbox"/> d-10-amplifier-for-stroke-and-leak...	STEP File

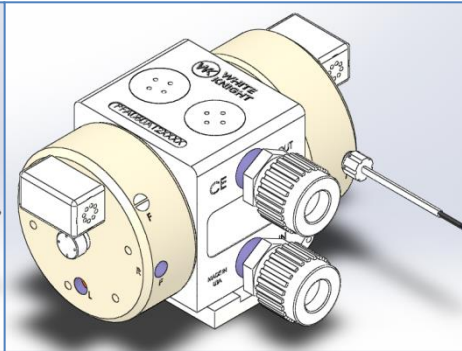
Name	Type
flaretek	File folder
fnpt	File folder
pillar-s-300	File folder
synchro-flare	File folder
tubeout	File folder
weldable	File folder



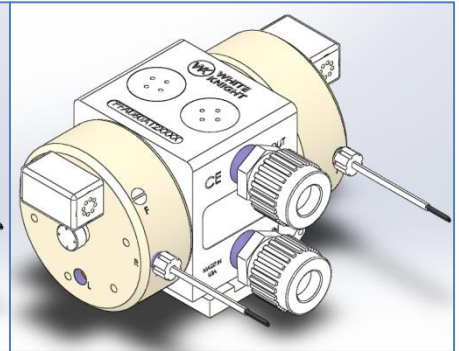
# Examples



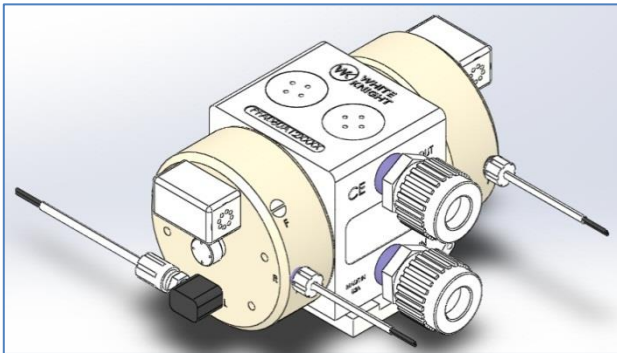
Pump assembly with two straight out liquid fittings and a top check plug.



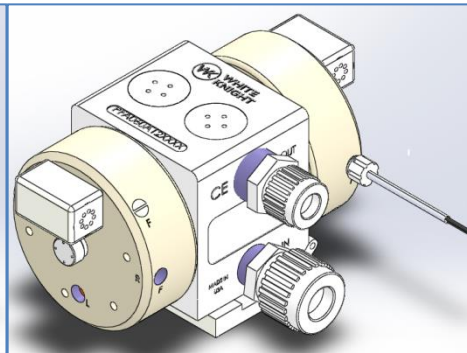
Pump with two straight out fittings configured to run with a single fiber optic probe.



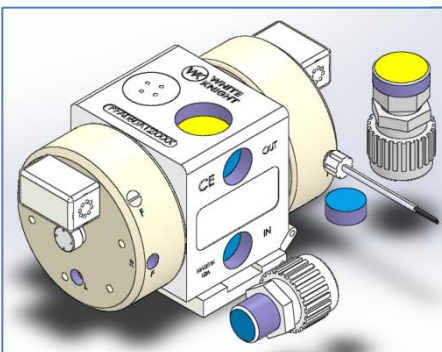
Pump with two straight out fittings configured to run with dual fiber optic probes.



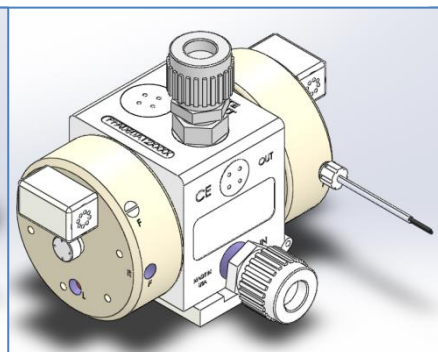
Pump with two straight out fittings configured to run with dual fiber optic probes and elbow out fiber optic leak detection.



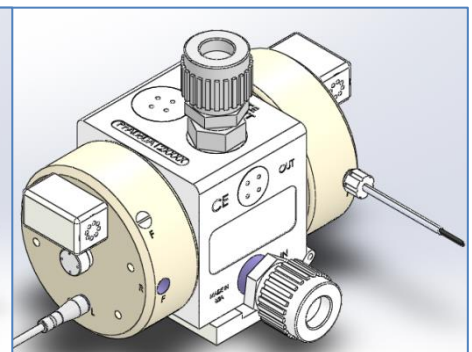
Pump with a 1" inlet fitting and a 1/2" outlet fitting configured to run with a single fiber optic probe.



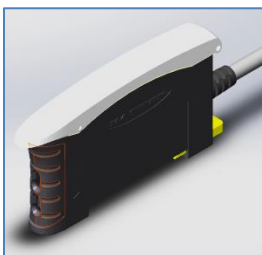
Pump assembly with a straight inlet fitting, front out plug, and top out liquid fitting.



Pump with a top out fitting configured to run with a single fiber optic cable.



Pump with a top out fitting configured to run with a single fiber optic cable and conductivity straight out leak detection



The D10 amplifier is recommended by White Knight for use with fiber optic cables and has been included in your solid models to allow for place assignment in your solid model.