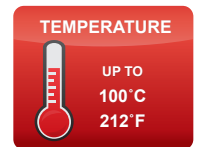


## Best-Selling Pump for Ultra Pure Chemical Recirculation

AP Series pumps are discontinued. Please upgrade to PSA Series pumps for better performance, improved reliability, shorter lead times, extended pump life, and increased warranty periods. See pump comparison information below or online at: <https://wkfluid.com/ap-series/>  
AP40EXT3 pumps are NOT discontinued. AP40EXT3 pumps are actively stocked and fully maintained. See: <https://wkfluid.com/ap40/>



### Overview

AP Series pumps are completely metal-free. They have PTFE/PFA fluid paths and distribute chemicals at up to 100°C (212°F). They offer air supply pressures up to 4 Bar (60 psi). The pumps perform safely and reliably running continuously throughout their warranty periods. There are five models, AP40EXT3, AP50, AP100, AP200 and AP300, which are capable of maximum flow rates of 14, 20, 55, 68 and 115 lpm, respectively.

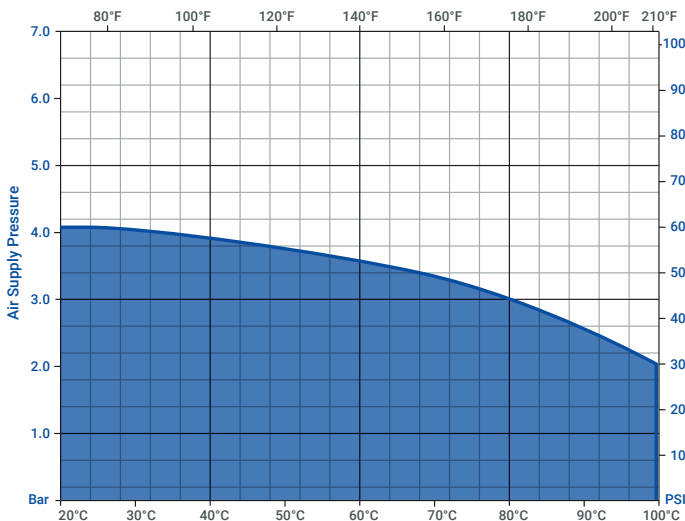
### Features & Benefits

- Nonmetal pumps with PTFE/PFA liquid paths
- No elastomer O-rings, no leaks, never retorque
- No lubrication in shift mechanisms
- Ceramic in air shuttle valve
- Pneumatic Logic™ minimizes pulsation and vibration
- Safe, leak-free operation due to no-metal design
- No preventative maintenance during one-year warranty
- Class 100 cleanroom assembly, testing, and packaging

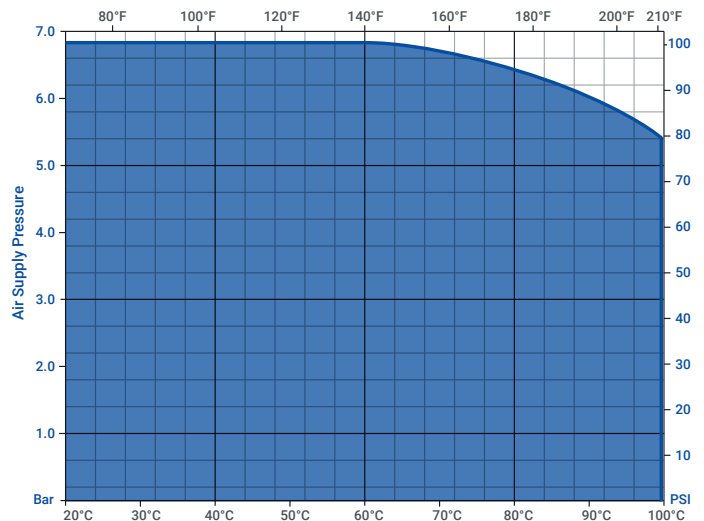
## PUMP COMPARISONS

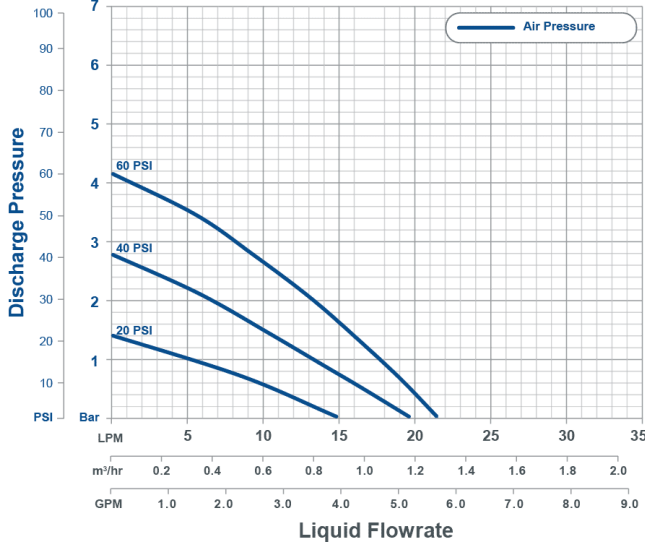
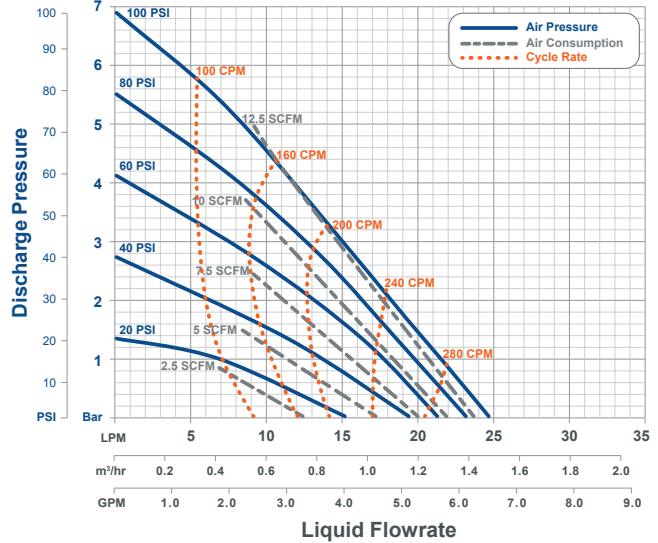
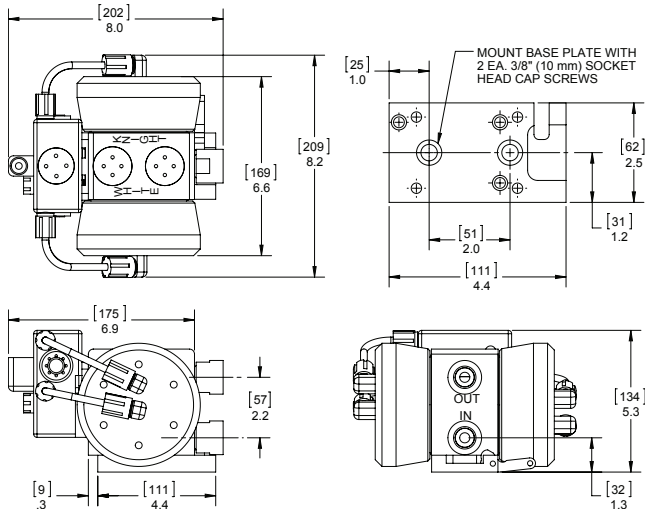
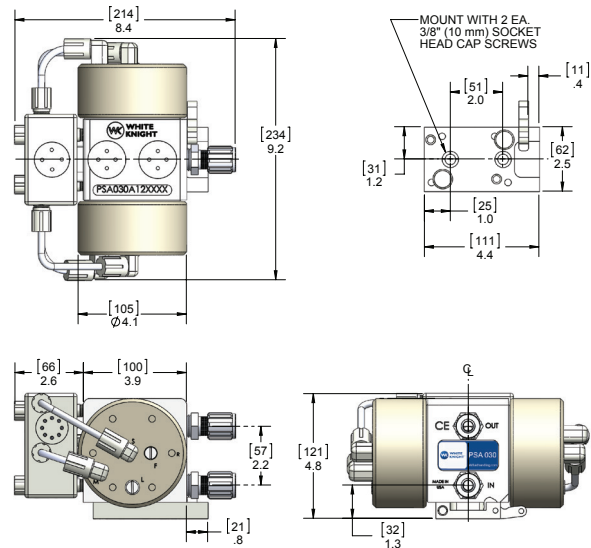
### Temperature Limits

AP Series



PSA Series



**AP50 - PSA030 COMPARISON**
**AP50 Performance**

**PSA030 Performance**

**AP50 Dimensions [mm] in**

**PSA030 Dimensions [mm] in**

**Specifications**

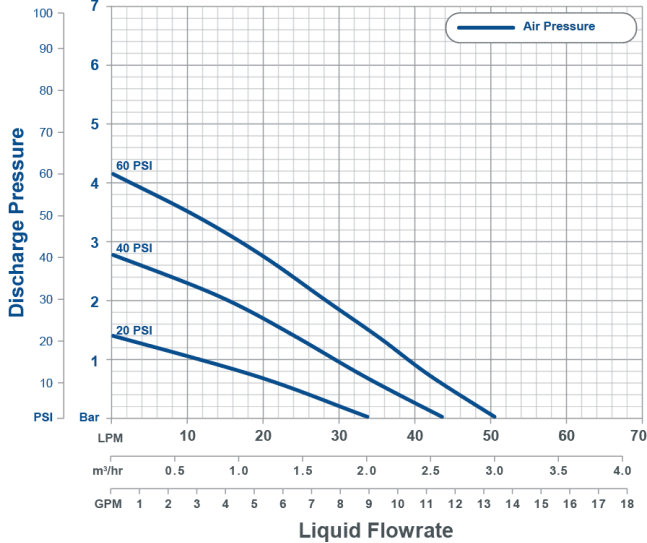
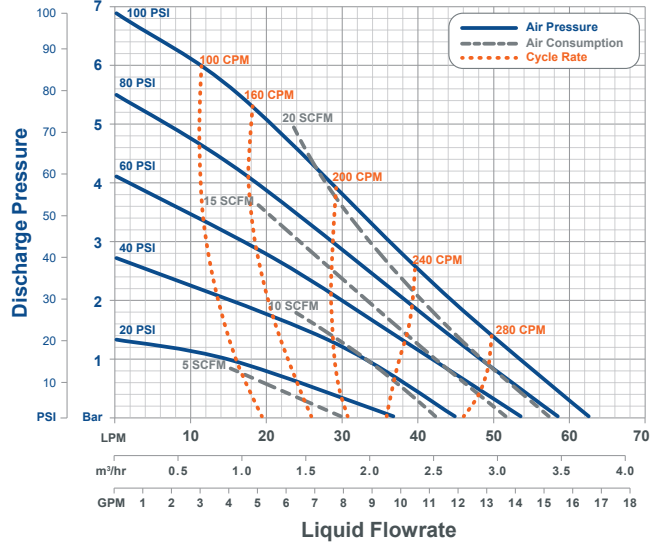
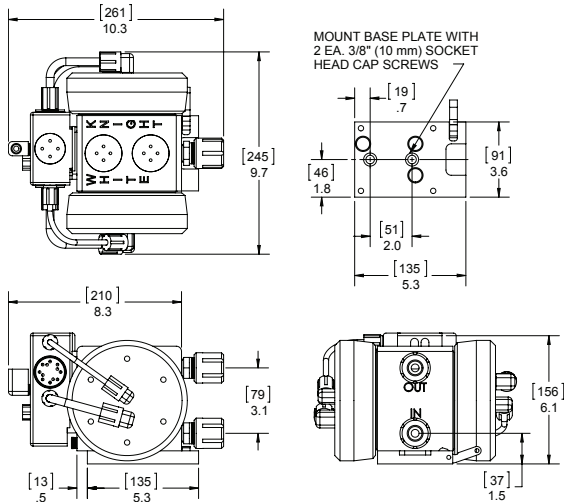
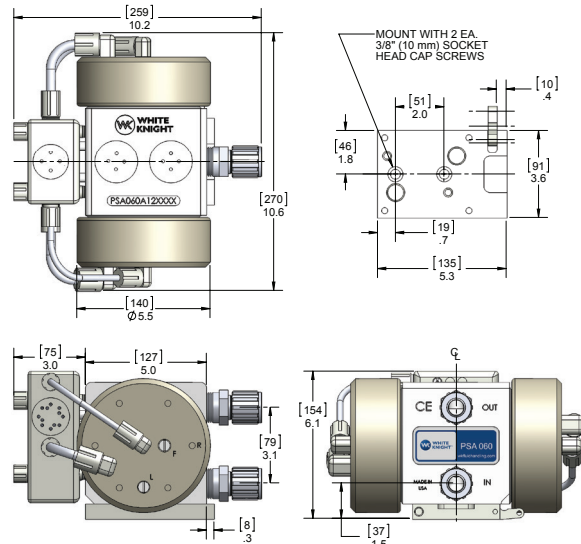
Model	AP50	PSA030
<b>Max Flow Rate*</b>	20 lpm 5 gpm	24.7 lpm 6.53 gpm
<b>Displacement Per Cycle*</b>	0.057 liters 0.02 gal	0.074 liters 0.019 gal
<b>Cycles per min</b>	≤ 270	≤ 333
<b>Air Connection</b>	1/8, 1/4, or 3/8 in FNPT	1/4 in FNPT
<b>Weight</b>	2.5 kg 5.5 lb	3.3 kg 7.3 lb
<b>Sound</b>	<b>Pressure**</b>	69.38 dB(a) 76.55 dB(a)
	<b>Power**</b>	58.52 dB(a) 65.75 dB(a)
<b>Pressure**</b>	74.00 dB(a) 79.90 dB(a)	63.01 dB(a) 69.90 dB(a)

Model	AP50	PSA030
<b>Max Fluid Temperature</b>	100°C 212°F	100°C 212°F
<b>Max Supply Air Pressure</b>	4 bar 60 psi	7 Bar 100 psi
<b>Min Startup Air Pressure</b>	1.4 bar 20 psi	1.4 Bar 20 psi
<b>Max Suction Lift*</b>	1 m 3 ft	1 m 3 ft
<b>Fluid Path Materials</b>	PTFE, PFA	PTFE, PFA
<b>Non-Fluid Path Materials</b>	PTFE, PFA, PP, Ceramic	PTFE, PFA, PP, Ceramic
<b>Warranty</b>	1 Year	2 Years

All AP & PSA Series Models	
<b>Stroke Detection</b>	Fiber optic with or without D10 sensor, or solid state pressure switch (NPN or PNP)
<b>Leak Detection</b>	Fiber optic with or without sensor, or conductivity
<b>Electronic Control</b>	CPC, CPT, or custom. Call for details.

\*May vary by configuration. Suction lift diminishes over time. Recommended installation level less than 3 ft above source.  
 \*\*dB at 60 psi 50 CPM (top) and 60 psi max. CPM (bottom). Sound levels measured in accordance with ISO9614-2:1997.

\*AP Series pumps are discontinued. Recommended replacements are PSA Series or PSR Series pumps. Details: <https://wkfluidhandling.com/psa-series/> or <https://wkfluidhandling.com/psr-series/>

**AP100 - PSA060 COMPARISON**
**AP100 Performance**

**PSA060 Performance**

**AP100 Dimensions [mm] in**

**PSA060 Dimensions [mm] in**

**Specifications**

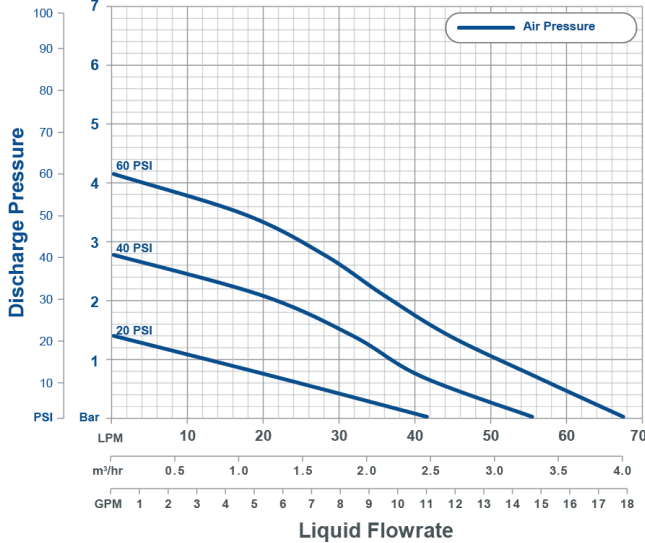
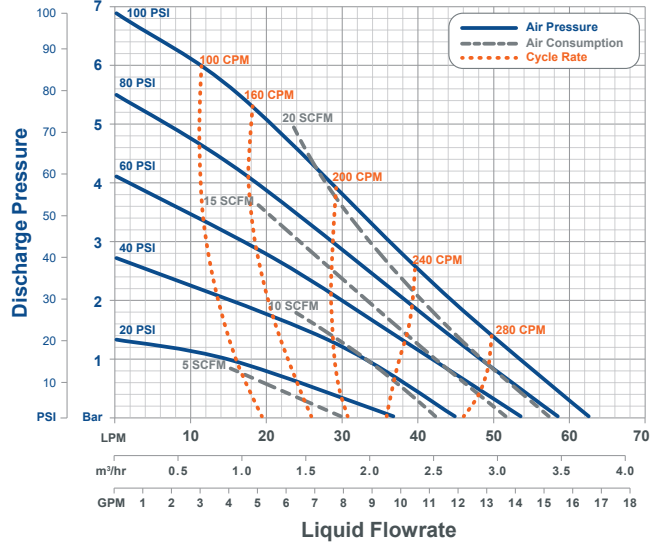
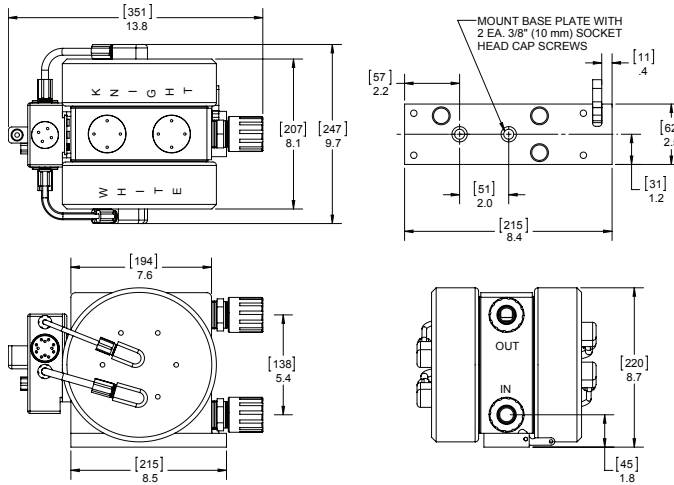
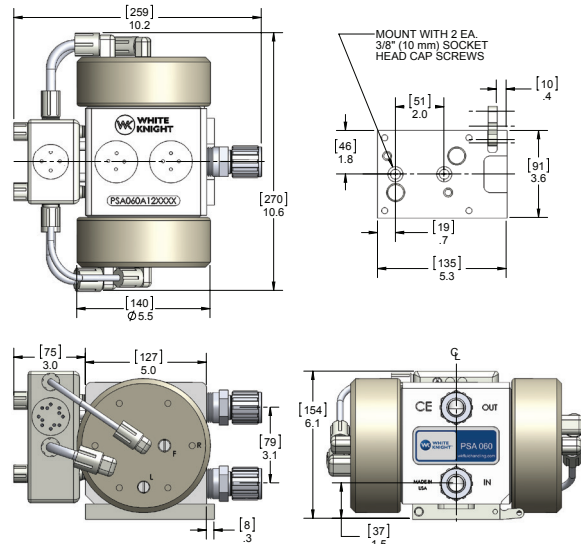
Model	AP100	PSA060
<b>Max Flow Rate*</b>	55 lpm 14 gpm	62.3 lpm 16.46 gpm
<b>Displacement Per Cycle*</b>	0.189 liters 0.05 gal	0.178 liters 0.047 gal
<b>Cycles per min</b>	≤ 300	≤ 348
<b>Air Connection</b>	1/4 or 3/8 in FNPT	1/4 in FNPT
<b>Weight</b>	4.9 kg 10.8 lb	4.7 kg 10.4 lb
<b>Sound</b>	<b>Pressure**</b>	72.38 dB(a) 79.12 dB(a)
	<b>Power**</b>	64.31 dB(a) 71.98 dB(a)
<b>Pressure**</b>	73.11 dB(a) 82.50 dB(a)	
<b>Power**</b>	64.29 dB(a) 74.11 dB(a)	

Model	AP100	PSA060
<b>Max Fluid Temperature</b>	100°C 212°F	100°C 212°F
<b>Max Supply Air Pressure</b>	4 bar 60 psi	7 Bar 100 psi
<b>Min Startup Air Pressure</b>	1.4 bar 20 psi	1.4 Bar 20 psi
<b>Max Suction Lift*</b>	1 m 3 ft	1 m 3 ft
<b>Fluid Path Materials</b>	PTFE, PFA	PTFE, PFA
<b>Non-Fluid Path Materials</b>	PTFE, PFA, PP, Ceramic	PTFE, PFA, PP, Ceramic
<b>Warranty</b>	1 Year	2 Years

All AP & PSA Series Models	
<b>Stroke Detection</b>	Fiber optic with or without D10 sensor, or solid state pressure switch (NPN or PNP)
<b>Leak Detection</b>	Fiber optic with or without sensor, or conductivity
<b>Electronic Control</b>	CPC, CPT, or custom. Call for details.

\*May vary by configuration. Suction lift diminishes over time. Recommended installation level less than 3 ft above source.  
 \*\*dB at 60 psi 50 CPM (top) and 60 psi max. CPM (bottom). Sound levels measured in accordance with ISO9614-2:1997.

\*AP Series pumps are discontinued. Recommended replacements are PSA Series or PSR Series pumps. Details: <https://wkfluidhandling.com/psa-series/> or <https://wkfluidhandling.com/psr-series/>

**AP200 - PSA060 COMPARISON**
**AP200 Performance**

**PSA060 Performance**

**AP200 Dimensions [mm] in**

**PSA060 Dimensions [mm] in**

**Specifications**

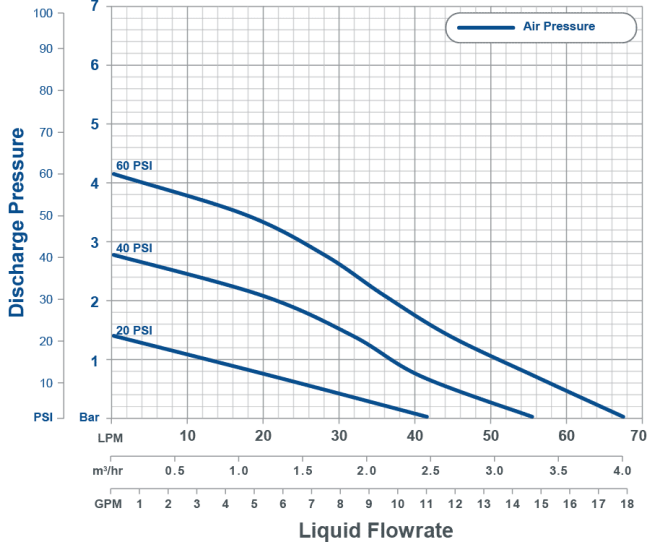
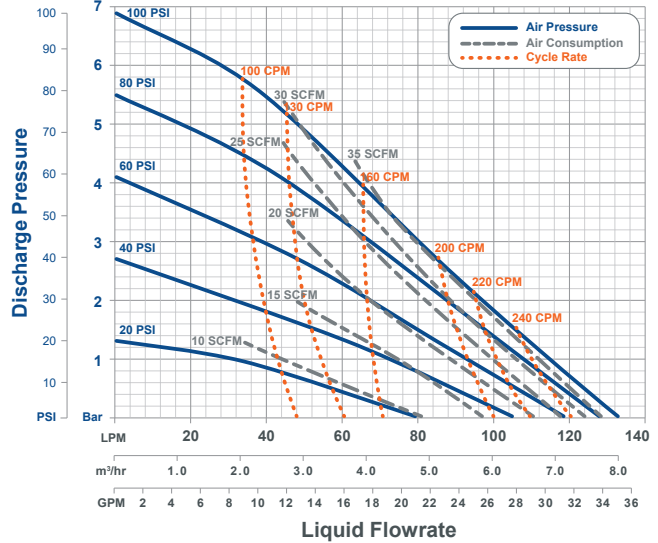
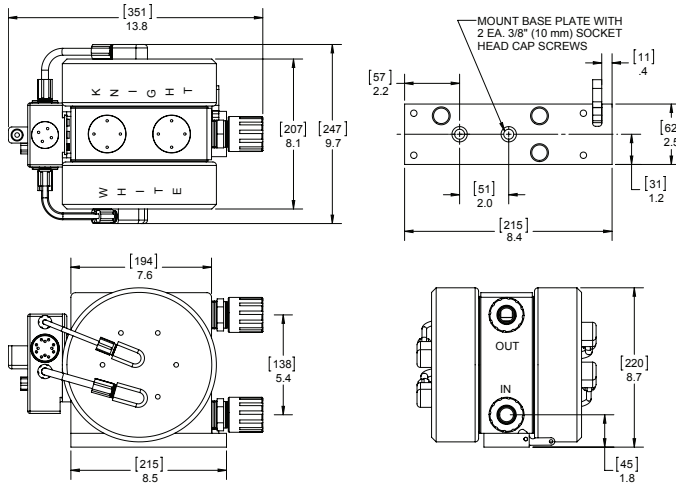
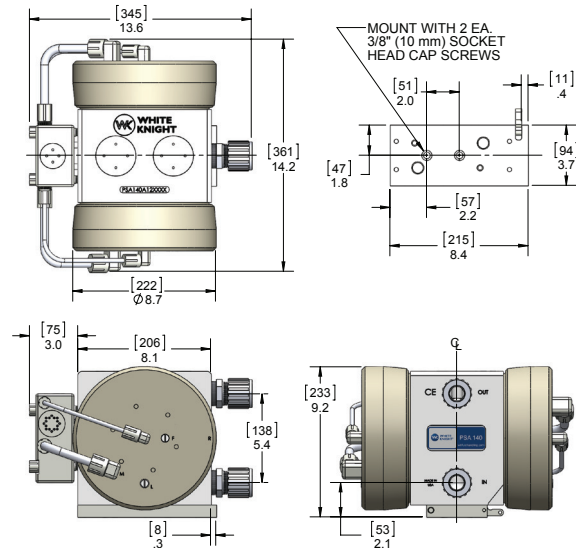
Model	AP200	PSA060
<b>Max Flow Rate*</b>	68 lpm 17 gpm	62.3 lpm 16.46 gpm
<b>Displacement Per Cycle*</b>	0.454 liters 0.12 gal	0.178 liters 0.047 gal
<b>Cycles per min</b>	≤ 150	≤ 348
<b>Air Connection</b>	3/8 or 1/2 in FNPT	1/4 in FNPT
<b>Weight</b>	11.0 kg 24.3 lb	4.7 kg 10.4 lb
<b>Sound</b>	<b>Pressure**</b>	74.80 dB(a) 82.31 dB(a)
	<b>Power**</b>	69.24 dB(a) 77.17 dB(a)
<b>Pressure**</b>	73.11 dB(a) 82.50 dB(a)	74.11 dB(a)

Model	AP200	PSA060
<b>Max Fluid Temperature</b>	100°C 212°F	100°C 212°F
<b>Max Supply Air Pressure</b>	4 bar 60 psi	7 Bar 100 psi
<b>Min Startup Air Pressure</b>	1.4 bar 20 psi	1.4 Bar 20 psi
<b>Max Suction Lift*</b>	1 m 3 ft	1 m 3 ft
<b>Fluid Path Materials</b>	PTFE, PFA	PTFE, PFA
<b>Non-Fluid Path Materials</b>	PTFE, PFA, PP, Ceramic	PTFE, PFA, PP, Ceramic
<b>Warranty</b>	1 Year	2 Years

All AP & PSA Series Models	
<b>Stroke Detection</b>	Fiber optic with or without D10 sensor, or solid state pressure switch (NPN or PNP)
<b>Leak Detection</b>	Fiber optic with or without sensor, or conductivity
<b>Electronic Control</b>	CPC, CPT, or custom. Call for details.

\*May vary by configuration. Suction lift diminishes over time. Recommended installation level less than 3 ft above source.  
 \*\*dB at 60 psi 50 CPM (top) and 60 psi max. CPM (bottom). Sound levels measured in accordance with ISO9614-2:1997.

\*AP Series pumps are discontinued. Recommended replacements are PSA Series or PSR Series pumps. Details: <https://wkfluidhandling.com/psa-series/> or <https://wkfluidhandling.com/psr-series/>

**AP200 - PSA140 COMPARISON**
**AP200 Performance**

**PSA140 Performance**

**AP200 Dimensions [mm] in**

**PSA140 Dimensions [mm] in**

**Specifications**

Model	AP200	PSA140
<b>Max Flow Rate*</b>	68 lpm 17 gpm	123 lpm 32.5 gpm
<b>Displacement Per Cycle*</b>	0.454 liters 0.12 gal	0.500 liters 0.132 gal
<b>Cycles per min</b>	≤ 150	≤ 273
<b>Air Connection</b>	3/8 or 1/2 in FNPT	3/8 in FNPT
<b>Weight</b>	11.0 kg 24.3 lb	16.6 kg 36.6 lb
<b>Sound</b>	<b>Pressure**</b>	74.80 dB(a) 82.31 dB(a)
	<b>Power**</b>	69.24 dB(a) 77.17 dB(a)

Model	AP200	PSA140
<b>Max Fluid Temperature</b>	100°C 212°F	100°C 212°F
<b>Max Supply Air Pressure</b>	4 bar 60 psi	7 Bar 100 psi
<b>Min Startup Air Pressure</b>	1.4 bar 20 psi	1.4 Bar 20 psi
<b>Max Suction Lift*</b>	1 m 3 ft	1 m 3 ft
<b>Fluid Path Materials</b>	PTFE, PFA	PTFE, PFA
<b>Non-Fluid Path Materials</b>	PTFE, PFA, PP, Ceramic	PTFE, PFA, PP, Ceramic
<b>Warranty</b>	1 Year	2 Years

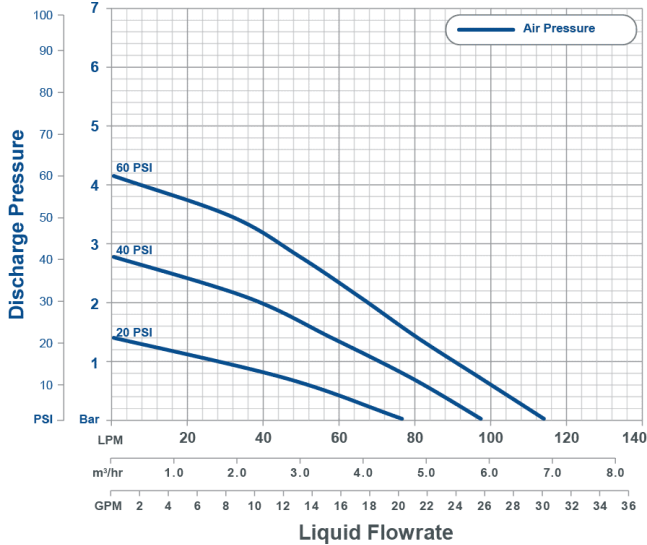
All AP & PSA Series Models	
<b>Stroke Detection</b>	Fiber optic with or without D10 sensor, or solid state pressure switch (NPN or PNP)
<b>Leak Detection</b>	Fiber optic with or without sensor, or conductivity
<b>Electronic Control</b>	CPC, CPT, or custom. Call for details.

\*May vary by configuration. Suction lift diminishes over time. Recommended installation level less than 3 ft above source.  
 \*\*dB at 60 psi 50 CPM (top) and 60 psi max. CPM (bottom). Sound levels measured in accordance with ISO9614-2:1997.

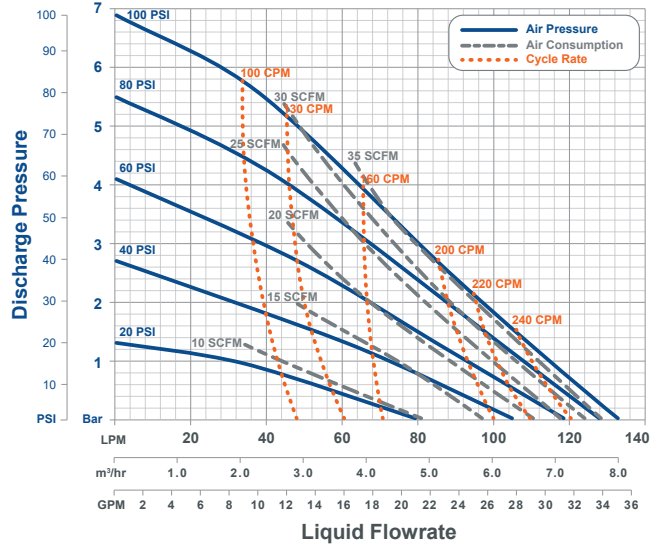
\*AP Series pumps are discontinued. Recommended replacements are PSA Series or PSR Series pumps.  
 Details: <https://wkfluidhandling.com/psa-series/>  
 or <https://wkfluidhandling.com/psr-series/>

## AP300 - PSA140 COMPARISON

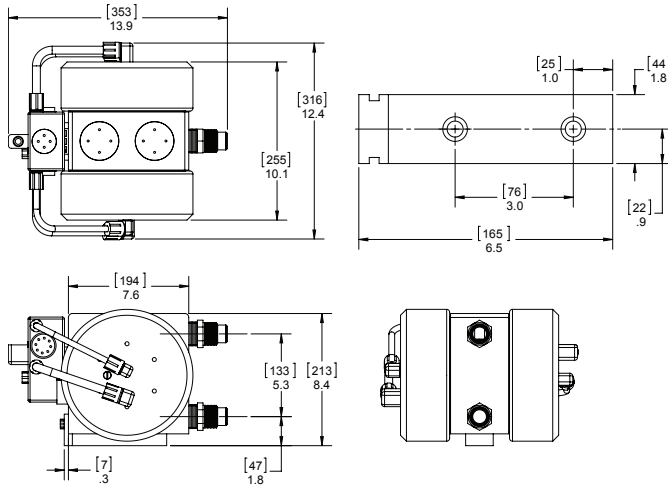
### AP300 Performance



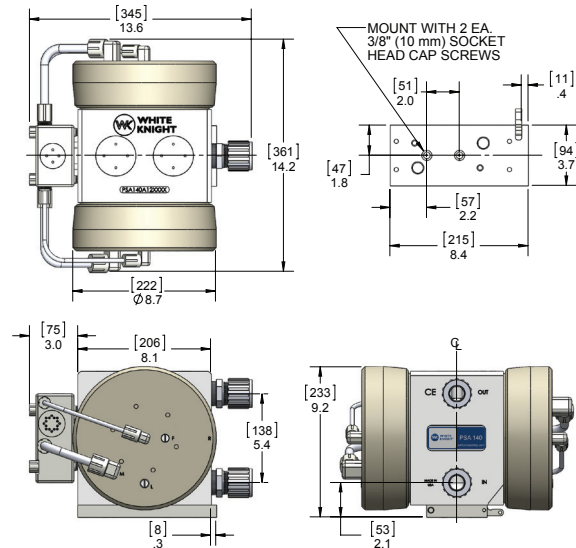
### PSA140 Performance



### AP300 Dimensions [mm] in



### PSA140 Dimensions [mm] in



### Specifications

Model	AP300	PSA140
<b>Max Flow Rate*</b>	115 lpm 30 gpm	123 lpm 32.5 gpm
<b>Displacement Per Cycle*</b>	0.719 liters 0.19 gal	0.500 liters 0.132 gal
<b>Cycles per min</b>	≤ 160	≤ 273
<b>Air Connection</b>	3/8 or 1/2 in FNPT	3/8 in FNPT
<b>Weight</b>	12.8 kg (28.2 lb)	16.6 kg 36.6 lb
<b>Sound</b>	<b>Pressure**</b>	74.8 dB(a) 82.31 dB(a)
	<b>Power**</b>	81.98 dB(a) 91.60 dB(a)
	69.24 dB(a) 77.17 dB(a)	76.37 dB(a) 83.16 dB(a)

Model	AP300	PSA140
<b>Max Fluid Temperature</b>	100°C 212°F	100°C 212°F
<b>Max Supply Air Pressure</b>	4 bar 60 psi	7 Bar 100 psi
<b>Min Startup Air Pressure</b>	1.4 bar 20 psi	1.4 Bar 20 psi
<b>Max Suction Lift*</b>	1 m 3 ft	1 m 3 ft
<b>Fluid Path Materials</b>	PTFE, PFA	PTFE, PFA
<b>Non-Fluid Path Materials</b>	PTFE, PFA, PP, Ceramic	PTFE, PFA, PP, Ceramic
<b>Warranty</b>	1 Year	2 Years

All AP & PSA Series Models	
<b>Stroke Detection</b>	Fiber optic with or without D10 sensor, or solid state pressure switch (NPN or PNP)
<b>Leak Detection</b>	Fiber optic with or without sensor, or conductivity
<b>Electronic Control</b>	CPC, CPT, or custom. Call for details.

\*May vary by configuration. Suction lift diminishes over time. Recommended installation level less than 3 ft above source.  
 \*\*dB at 60 psi 50 CPM (top) and 60 psi max. CPM (bottom). Sound levels measured in accordance with ISO9614-2:1997.

\*AP Series pumps are discontinued. Recommended replacements are PSA Series or PSR Series pumps.  
 Details: <https://wkfluidhandling.com/psa-series/>  
 or <https://wkfluidhandling.com/psr-series/>