



Universal Filter Housings for Temperatures up to 210°C (410°F)

FHU Series filter housings fit standard Code 0 filter cartridges offered by major suppliers. They provide high flows in PTFE/PFA fluid paths with reliable dual-static crush seals that can be retightened. These compact filter housings are nonmetal, capable of 210°C (410°F) fluid temperatures, and enable changing filters without disconnecting liquid lines.

Advanced Technologies

Compatible with Code 0 filters

Low pressure drop (1-in flow path)

Reliable, adjustable O-ring seals

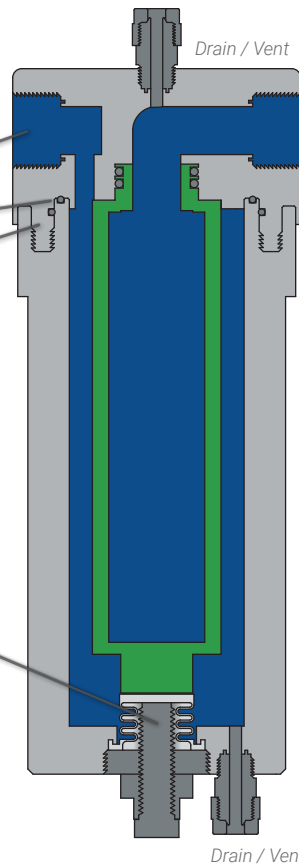
Synchro-Thread™ allows for fluids up to 210°C (410°F)

Greater filtration surface area with up to 3.2-in diameter filters

Various fitting options

Easy to install in any orientation

Adjustable pin maintains placement of filter when in inverted position



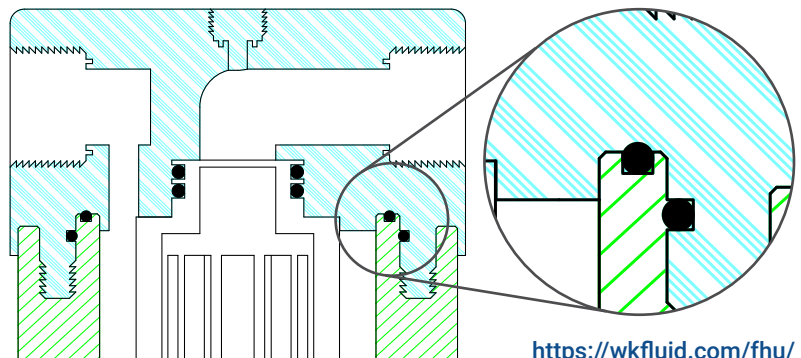
*Filter not provided by White Knight. See Dimensions to ensure filter fit.

Features & Benefits

- Compatible with Code 0 filter cartridges
- Process-safe PTFE, PFA flow paths
- Reliable, safe operation with leak-free dual-static crush seals
- Durable machined design with no metal parts
- Enables up to 3.2-in filter diameters for greater filtration surface area
- Synchro-Thread™ provides face and diameter seals with doubled-threaded strength for complete, reliable containment
- Adjustable pin to keep filter in place when inverted and in thermal cycling applications
- Change filters without disconnecting liquid lines
- Easy to configure, install and service
- Low pressure drop (1-in flow path)
- Max pressure at 70°C is 7 Bar (100 psi)
Max pressure at 210°C is 1.4 Bar (20 psi)
- Class 100 cleanroom assembly and packaging
- No preventative maintenance during warranty

Dual-Static Crush Seal

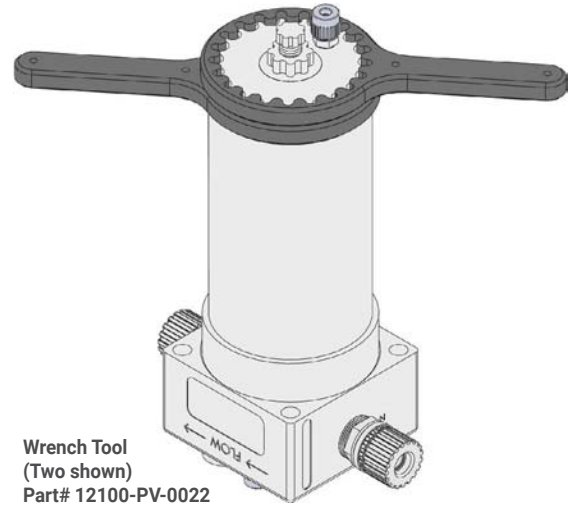
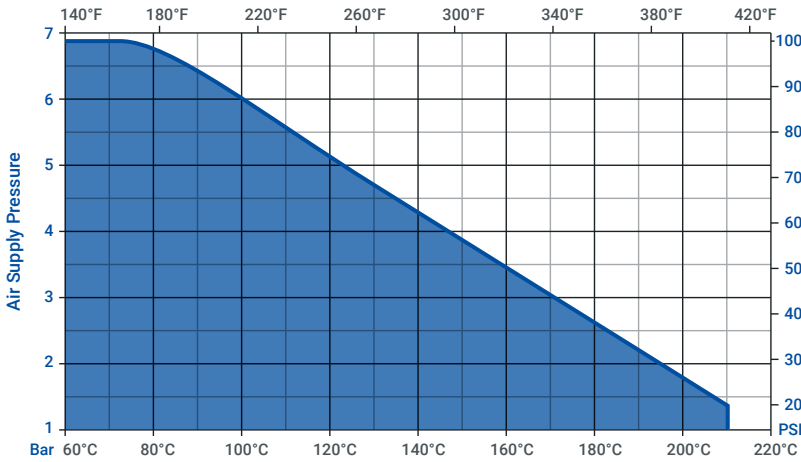
Two O-rings in an angled load system ensure reliable seals to prevent leaks. Sealing pressure can be adjusted beyond initial compression loads. They maintain pressure and prevent leaks, which improves reliability, and eliminates costly downtime and expensive cleanup.



<https://wkfluid.com/fhu/>

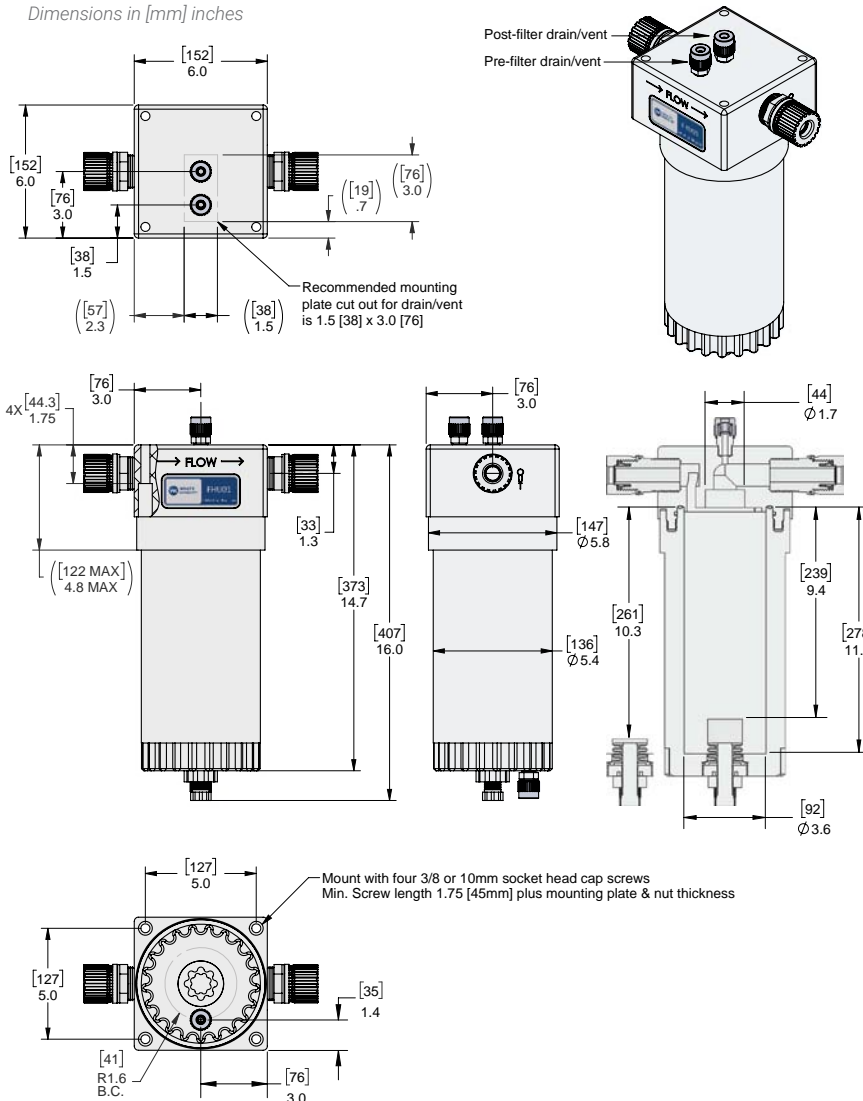


Temperature Limitations



FHU Dimensions

Dimensions in [mm] inches



Liquid Fittings		Assemblies		Body Inlet Only (Nut not included)
Flaretek Compatible	1/2 in.	F08	14510-PF-0011	7200-PF-0015
	3/4 in.	F12	14510-PF-0008	7200-PF-0009
	1 in.	F16	14510-PF-0009	7200-PF-0010
	1-1/4 in.	F20	14510-PF-0010	7200-PF-0011
Tube Out	3/4 in.	T12	7120-PF-0007	
	1 in.	T16	7120-PF-0008	
	1-1/4 in.	T20	7120-PF-0009	
	1-1/2 in.	T24	7120-PF-0010	
Weldable	3/4 in.	W12	7300-PF-0005	
	1 in.	W16	7300-PF-0006	
Pillar S-300	1/2 in.	P08	14530-PF-0011	7400-TE-0019
	3/4 in.	P12	14530-PF-0006	7400-TE-0006
	1 in.	P16	14530-PF-0007	7400-TE-0007
	1-1/4 in.	P20	14530-PF-0008	7400-TE-0008
	1-1/2 in.	P24	14530-PF-0026	7400-TE-0035
FNPT	3/4 in.	N12	7100-TE-0009	
	1 in.	N16	7100-TE-0005	
	1-1/4 in.	N20	7100-TE-0010	
Synchro- Flare	1/2 in.	S08	TBD	7010-TE-0008
	3/4 in.	S12	14520-TE-0008	7010-TE-0007
	1 in.	S16	14520-TE-0007	7010-TE-0009
PrimeLock	3/4 in.	L12	14570-PF-0006	7800-TE-0006
	1 in.	L16	14570-PF-0007	7800-TE-0007
	1-1/4 in.	L20	TBD	7800-TE-0008
Plugged		B00	7130-TE-0005	7130-TE-0005

Drain/Vent Fittings		Assemblies		Body Inlet Only (Nut not included)
Flaretek Compatible	1/4 in.	F4	14510-PF-0012	7200-PF-0012
	3/8 in.	F6	14510-PF-0013	7200-PF-0013
Pillar S-300	1/8 in.	P2	14530-PF-0024	7400-TE-0013
	1/4 in.	P4	TBD	TBD
	3/8 in.	P6	TBD	TBD
FNPT	1/4 in.	N4	7100-TE-0011	
	3/8 in.	N6	7100-TE-0016	
PrimeLock	1/4 in.	L4	TBD	7800-TE-0009
	3/8 in.	L6	TBD	7800-TE-0010
Plugged		B0	7130-TE-0006	