

iPolymer | Quick Dump Valves

Quick Dump Valves

Our Quick Dump ("QD") Valves are designed to rapidly drain process tanks. Constructed from high-purity polymers, which are selected to meet your application needs, our Quick Dump Valves are available in Polypropylene (POL) or Polyvinylidene Fluoride (PVDF). These valves are designed to be welded directly to the underside (bottom) of tanks. Our Quick Dump Valves are available configured with either O-Ring Seats or Domed Hard Seats. The Domed Hard Seat design prevents ponding/puddling of media on the valve piston and allows for a slight trickle of fluid. This plunger-style valve is very compact, while still configured with optional Air-to-Open/Spring-to-Close or Air-to-Open/Air-to-Close actuation.



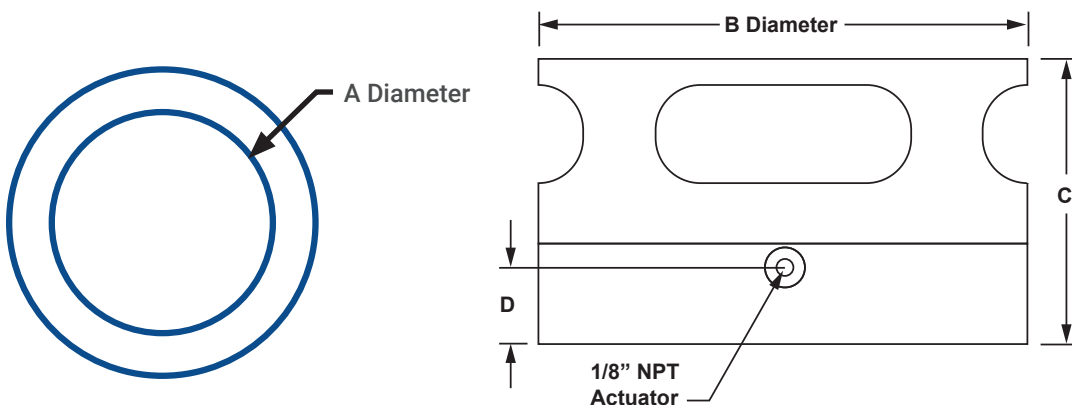
Specifications

Size	2"	4"
Actuation Pressure Range (psi)	60 / 70	45 / 55
Media Temperature Range - Polypropylene	30 - 140°F	30 - 140°F
Media Temperature Range - PVDF	20 - 212°F	20 - 212°F
Approximate Dump Rate (GPM @ 1ft Head)	30	60

Installation Instructions: At time of installation actuate valve at full actuation pressure and hold pressure while welding body in place.

Dimensions

Size	Seat	Base	A	B	C	D
2"	O-Ring	104520	2"	3"	3.0"	.78"
2"	Hard	104521	2"	3"	3.0"	.78"
4"	O-Ring	103809	4"	5"	3.0"	.78"
4"	Hard	103952	4"	5"	3.0"	.78"
4" (high flow)	O-Ring	104602	4"	5"	4.0"	1.43"
4" (high flow)	Hard	104683	4"	5"	4.0"	1.43"



Ordering Format

QD - 103809 - POL - E - 1
 0 1 2 3 4

0. Valve Series

QD = Quick Dump Valves

1. Base Number

- 104520 = 2" O-Ring Seat
- 103809 = 4" O-Ring Seat
- 104602 = 4" High-Flow O-Ring Seat
- 104521 = 2" Hard Seat
- 103952 = 4" Hard Seat
- 104683 = 4" High-Flow Hard Seat

2. Material of Construction

- POL = Polypropylene
- PVDF = Polyvinylidene Fluoride

3. Body O-Ring Type

- E = EPDM
- V = FKM (Viton Eq.)

4. Configuration

- 1 = Air Open/Spring Close
- 2 = Air Open/Air Close

**O-ring Seat Material is same as Body O-Ring Type. Hard Seat Material is same as Material of Construction.*