

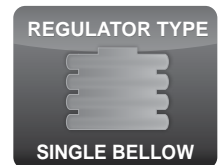
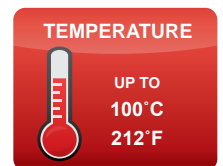
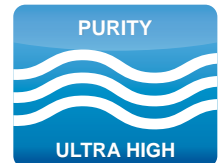


WHITE KNIGHT®

.....engineer approved™

RBA SERIES REGULATORS

Automatically Controls Upstream System Pressure Without Added Circuitry or Feedback

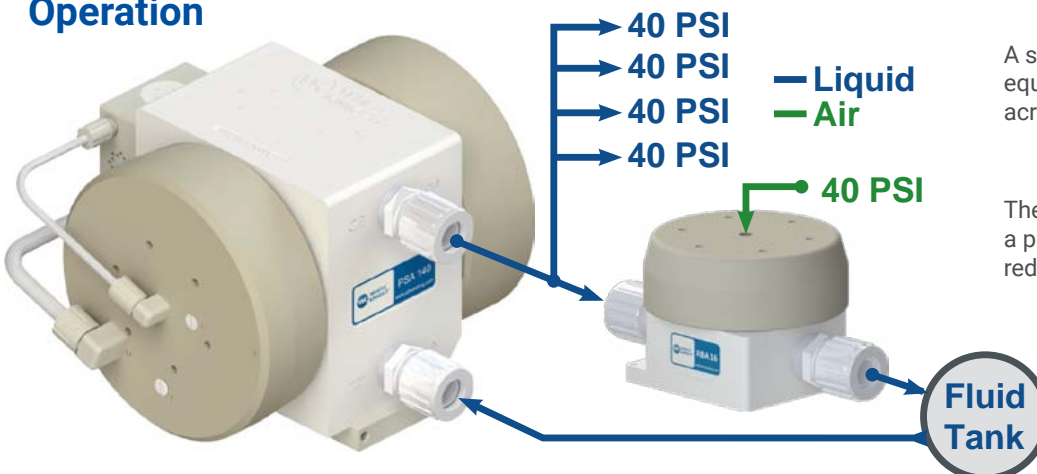


White Knight back-pressure regulators feature an air spring design that responds immediately and is highly accurate. They offer remote piloting capability to maintain system pressure for recirculation loops or systems with multiple tool drops or dispense points. They are available with 1/2 in. (RBA08), 3/4 in. (RBA12) and 1 in. (RBA16) connection sizes.

Features & Benefits

- Remotely piloted
- 100% PTFE fully-swept fluid path for ultra-high purity applications
- No O-rings or extraneous seals
- Chemically resistant PTFE & PFA fluid path ideal for harsh applications
- Zero-metal construction eliminates possibility of contamination
- 1/2 in. models have 3/8 in. flow-through
3/4 in. models have 5/8 in. flow-through
1 in models have 7/8 in. flow-through
- Class 100 cleanroom assembly, testing, and packaging
- Virtually any style or size liquid connection without NPT threads
- Minimal parts for durable design
- Easy to install and service
- No maintenance required during two year warranty
- Integral gauge port (order liquid fitting adapter separately)
- Safe, leak-free operation

Operation



A single back pressure regulator equalizes upstream fluid pressure across multiple discharge outlets.

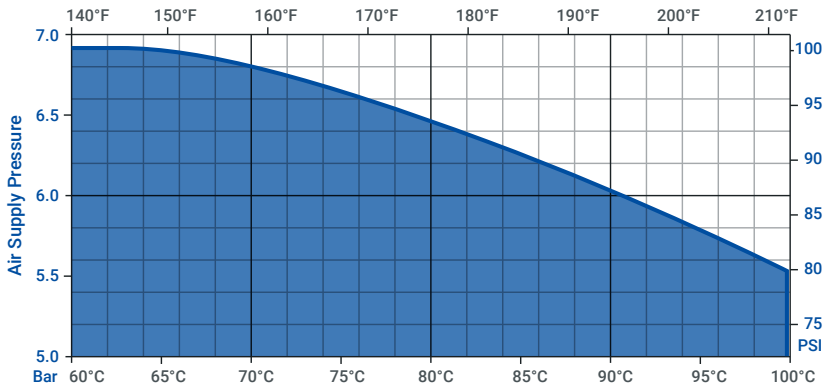
The regulator acts as a pulse dampener to reduce system pulsation.

<https://wkfluidhandling.com/rba/>



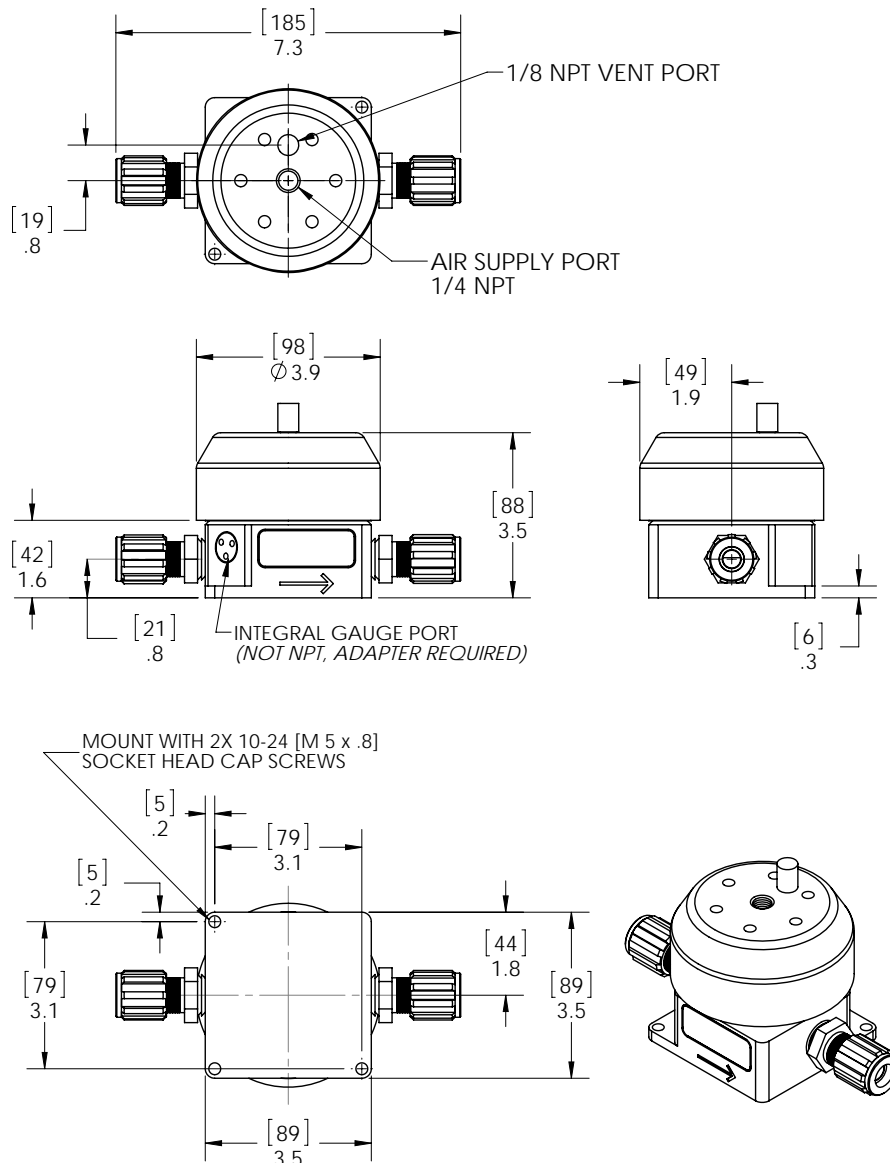


Temperature Limitations



RBA08 Dimensions

Dimensions in [mm] inches



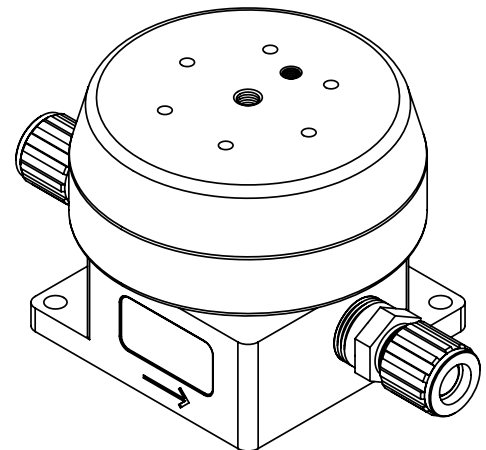
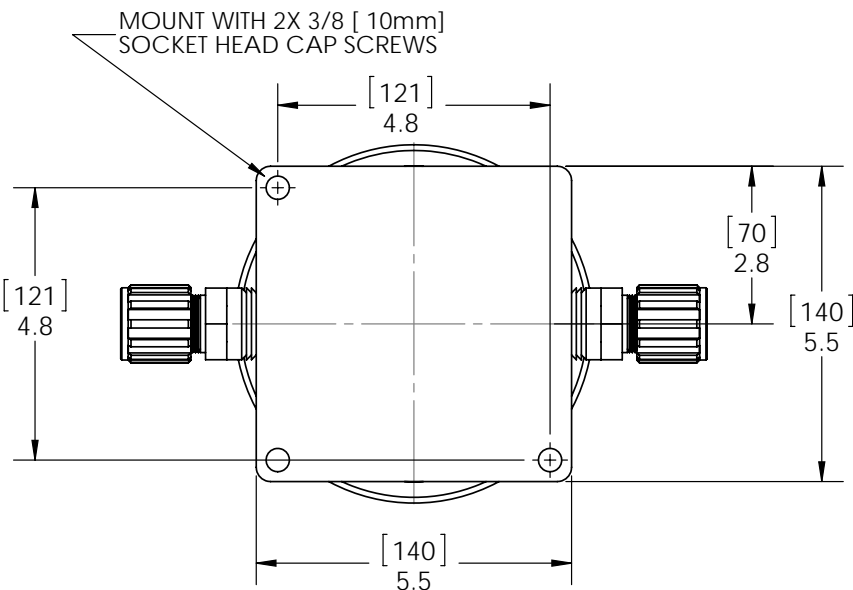
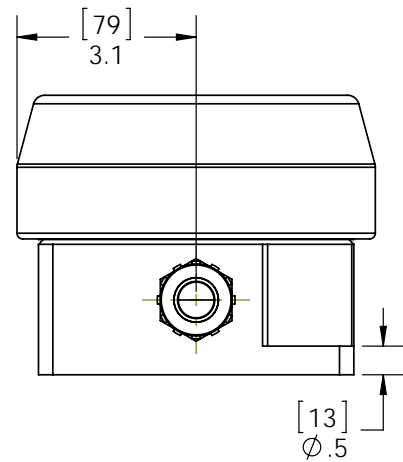
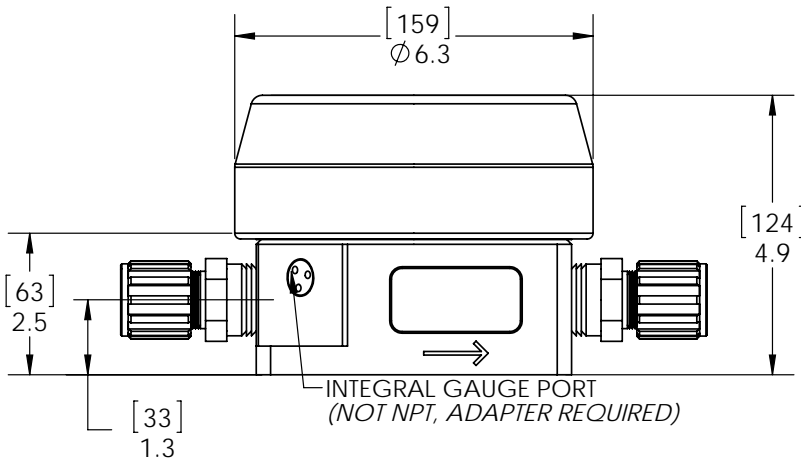
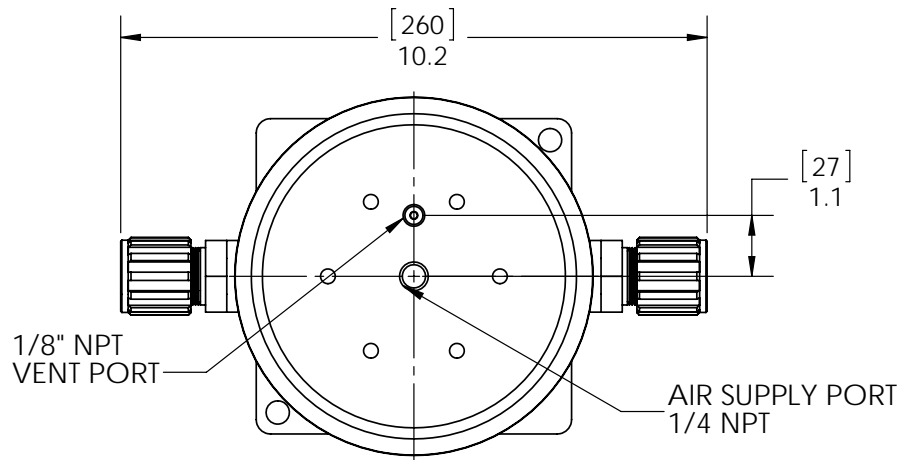
<https://wkfluidhandling.com/rba/>





RBA12 Dimensions

Dimensions in [mm] inches



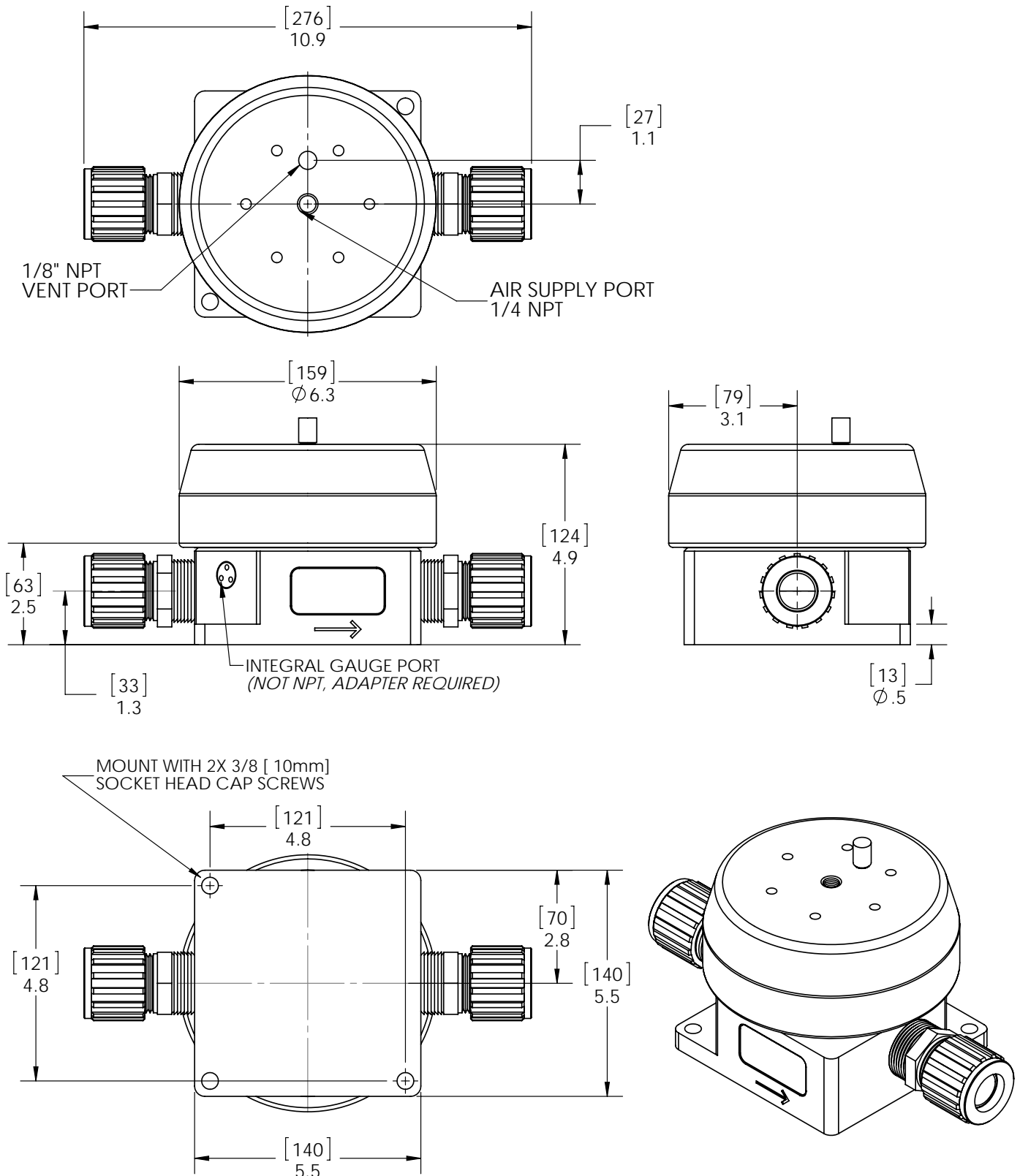
<https://wkfluidhandling.com/rba/>





RBA16 Dimensions

Dimensions in [mm] inches



<https://wkfluidhandling.com/rba/>

