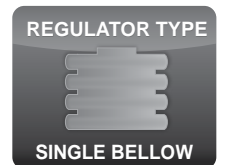
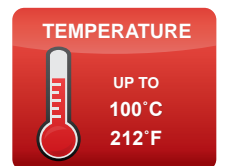


Automatically Controls Downstream System Pressure Without Added Circuitry or Feedback

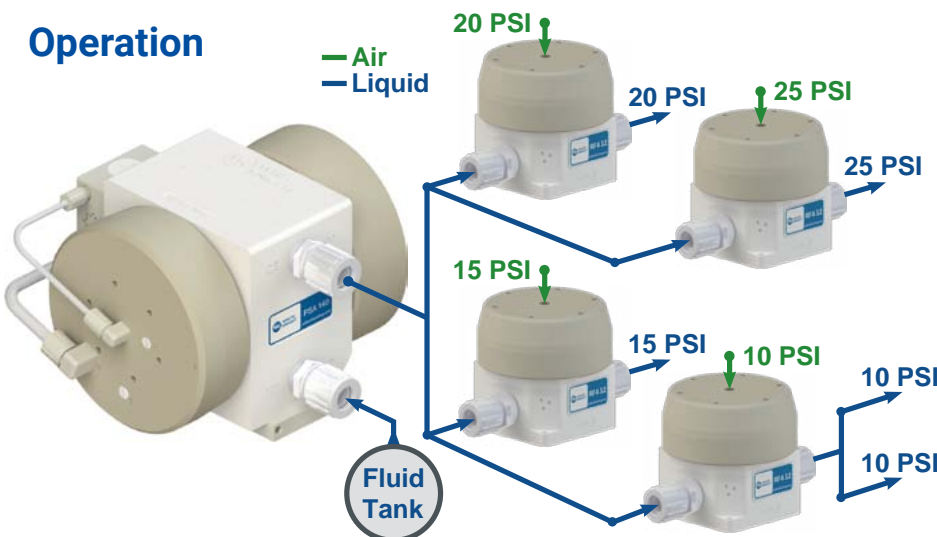


White Knight forward pressure regulators feature an air spring design that responds immediately and is highly accurate. They offer remote piloting capability to maintain system pressure for recirculation loops or systems with multiple tool drops or dispense points. They are available with 1/2 in. (RFA08), 3/4 in. (RFA12) and 1 in. (RFA16) connection sizes.

Features & Benefits

- Remotely piloted
- 100% PTFE fully-swept fluid path for ultra-high purity applications
- No O-rings or extraneous seals
- Chemically resistant PTFE & PFA fluid path ideal for harsh applications
- Zero-metal construction eliminates possibility of contamination
- 1/2 in. models have 3/8 in. flow-through
3/4 in. models have 5/8 in. flow-through
1 in models have 7/8 in. flow-through
- Class 100 clean room assembly, testing, and packaging
- Virtually any style or size liquid connection without NPT threads
- Minimal parts for durable design
- Easy to install and service
- No maintenance required during two year warranty
- Integral gauge port
- Safe, leak-free operation

Operation



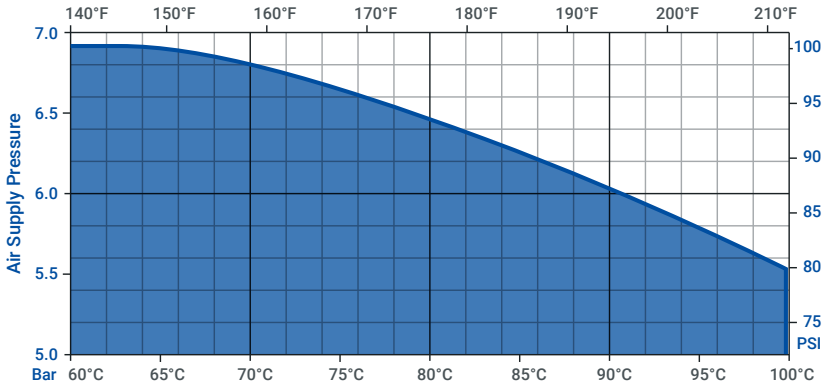
Forward pressure regulators control downstream fluid pressure. One regulator is required for each discharge pressure.

Regulators act as pulse dampeners to reduce system pulsation.

<https://wkfluidhandling.com/rfa/>

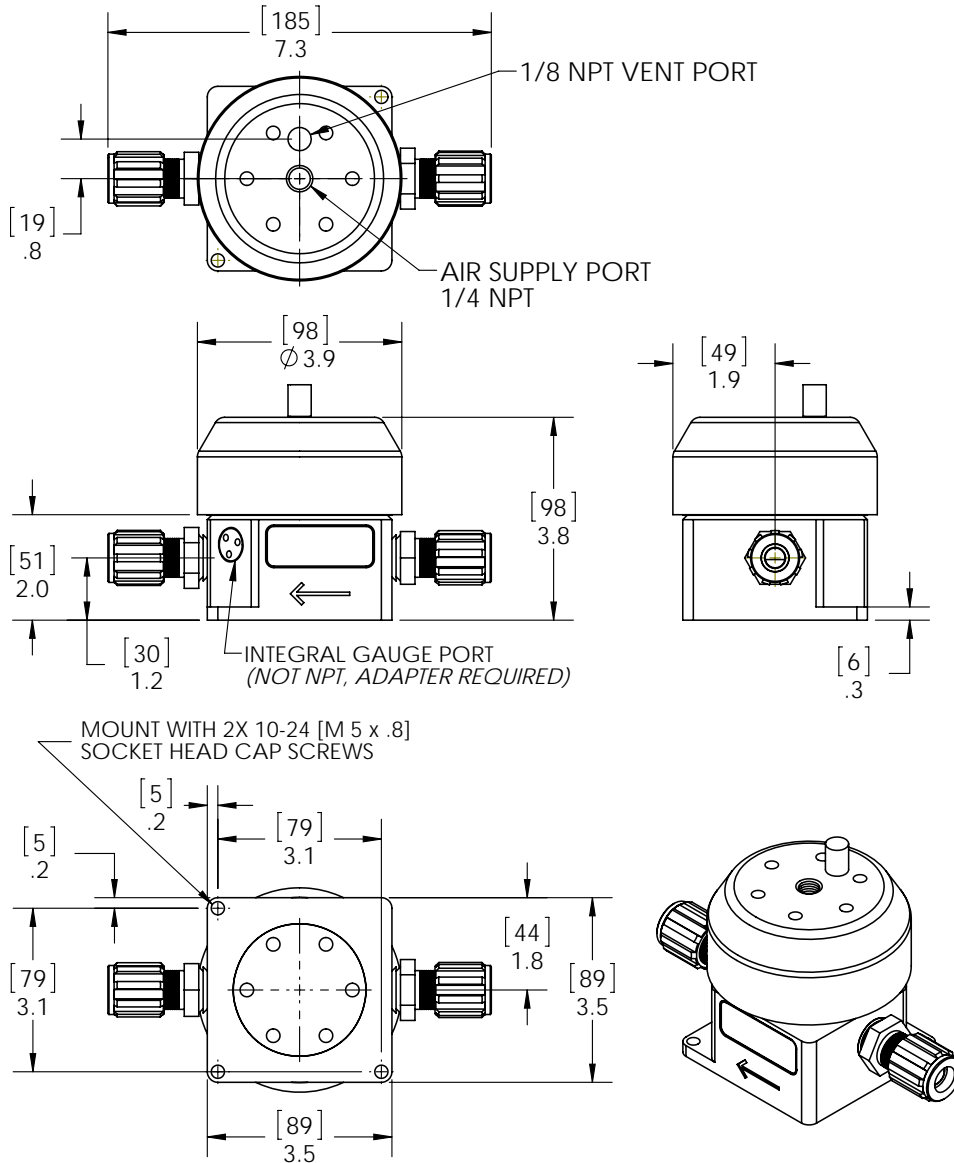


Temperature Limitations



RFA08 Dimensions

Dimensions in [mm] inches



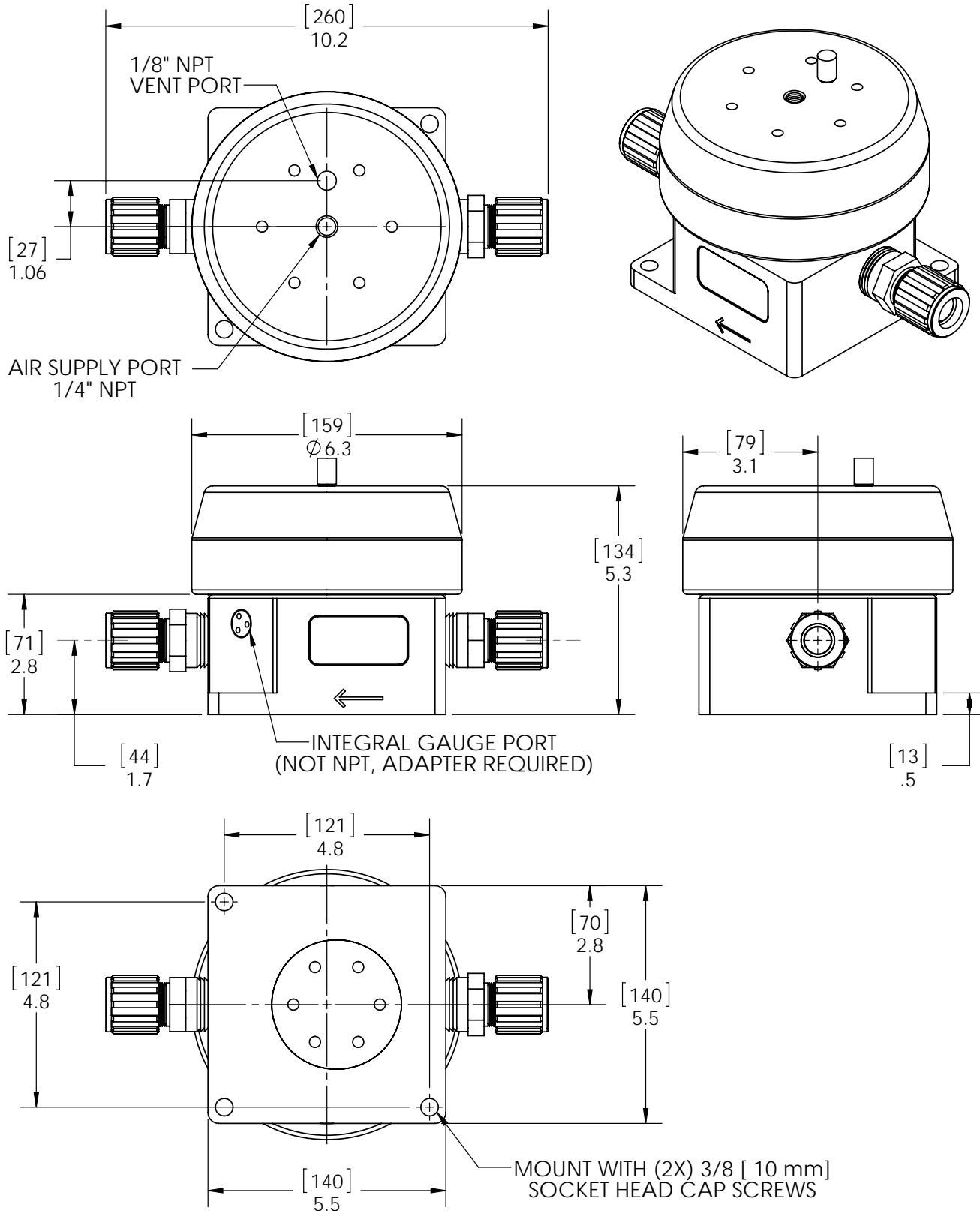
<https://wkfluidhandling.com/rfa/>





RFA12 Dimensions

Dimensions in [mm] inches



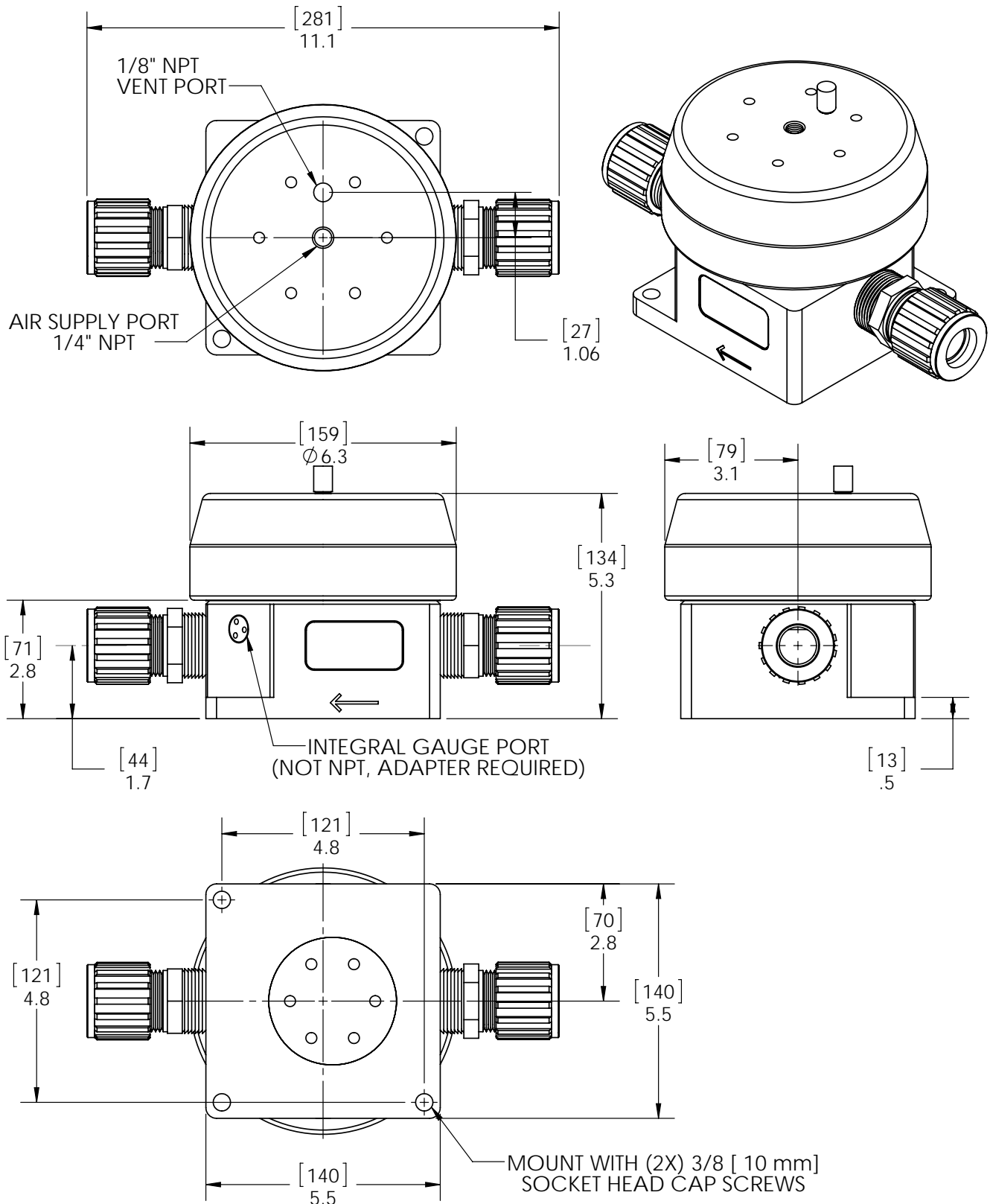
<https://wkfluidhandling.com/rfa/>





RFA16 Dimensions

Dimensions in [mm] inches



<https://wkfluidhandling.com/rfa/>

